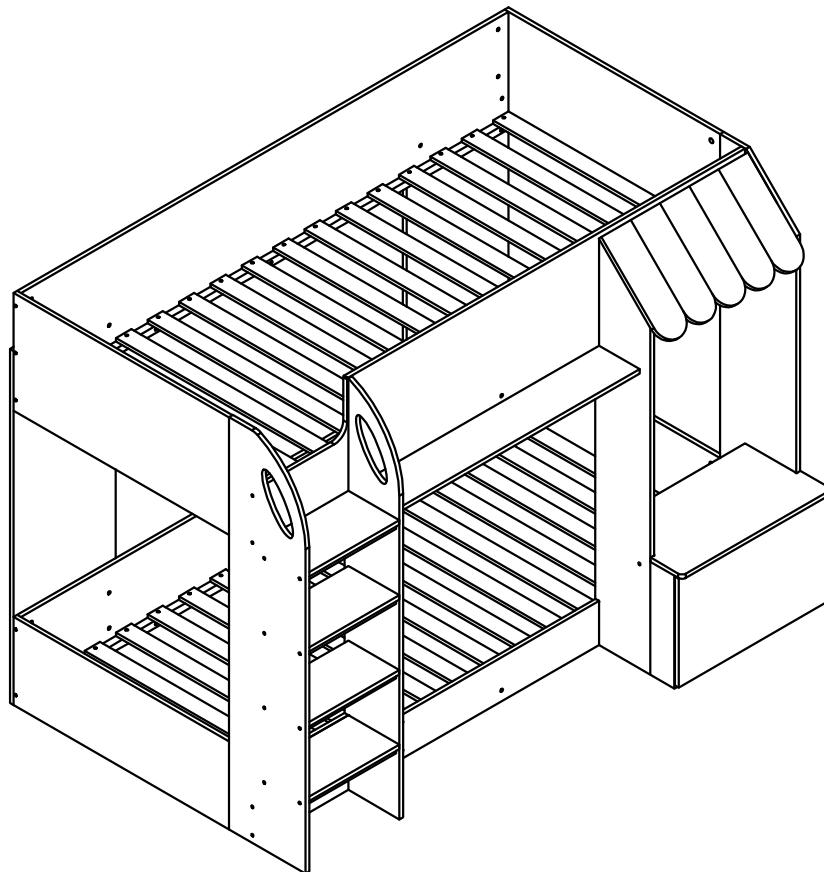


BUNK BED WITH STORAGE



IMPORTANT: Please read these instructions carefully before using this product and keep for future reference.

BABYFAIR LTD

Savile business centre, Mill street east, Dewsbury, WF12 9AH

www.baby-fair.co.uk

Email: support@baby-fair.co.uk

Warnings & Instructions For Safe Use & Maintenance

WARNING: Be aware of the risk of open fire and other sources of strong heat, such as electric bar fires, gas fires etc, in the vicinity of the cot/bed.

WARNING: Do not use the product if any part is broken, damaged, torn or missing. Approved replacement parts can be obtained from baby-fair.co.uk phone - 0330 175 7526

WARNING: Do not leave anything in the cot/bed, or place it close to another product which provides a foothold or presents a danger of suffocation or strangulation. For example strings, blind/curtain cords etc.

WARNING: Children are likely to play, bounce, jump and climb on beds, therefore the child's bed should not be placed too close to other furniture or windows, and should be placed either tight to any wall or have a gap of 300mm between the wall and the side of the bed.

WARNING: Do not place this child's bed near heat sources, windows and other furniture.

The lowest position of the mattress base is the safest, and should be used as soon as the baby is old enough to sit up. To prevent injury from falls, when the child is able to climb out of the cot, the cot shall no longer be used for that child.

Thickness of the mattress chosen must not reduce the internal depth (from mattress surface to top of the side) to less than 500mm with the base in its lower position or 200mm with the base in its higher position. The leg of the cot has a mark indicating this height.

If you leave the child unattended in the cot, always make sure that the dropside is in the highest position.

All assembly fittings should be tightened properly, checked regularly and re-tightened as necessary.

Screws and bolts should not be loose because a child can squeeze parts of the body, or clothing e.g string, necklaces, ribbons for babies dummies etc. could get caught. There would be a danger of strangulation.

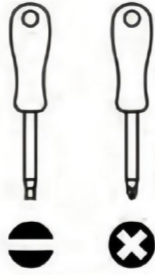
The cot/bed must be used on a level and stable surface, away from electric sockets. Once assembled do not dismantle. Never move the cot/ bed with a child in it.

Excessive chewing may damage the wood and cause splintering. If any part is damaged stop using until the correct replacement part has been obtained from baby-fair.co.uk , phone 0330 175 7526

Your cot/bed can be cleaned by wiping with a damp cloth and drying immediately with a soft clean cloth.

Do not use abrasives, bleach, alcohol or ammonia based household polishes.

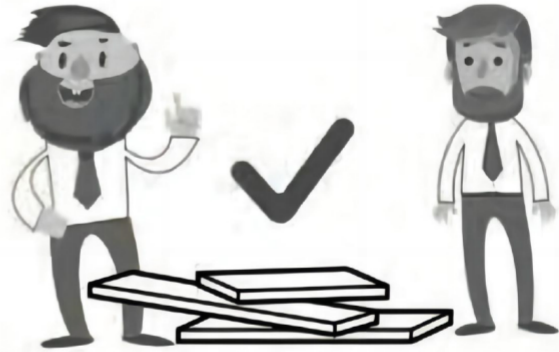
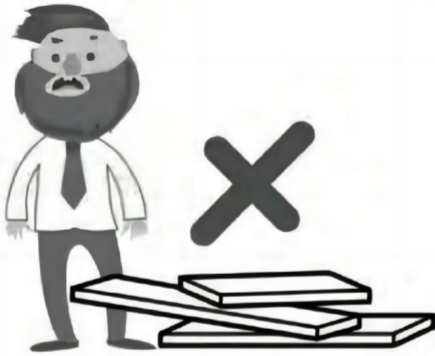
This product conforms to :BSEN 747-1: 2024-Furniture-Bunk Beds And High Beds, Part 1: Safety, Strength And Durability Requirements



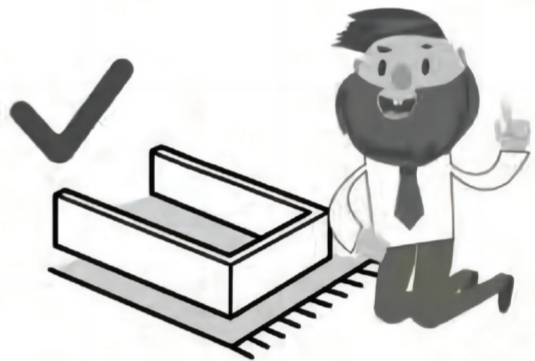
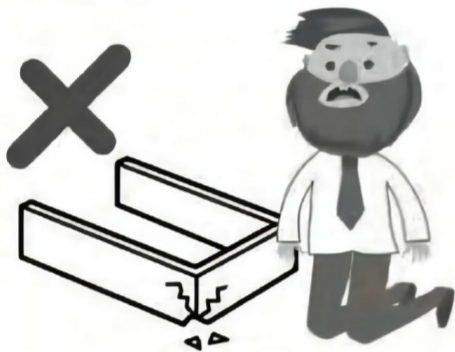
(Not metal)

These tools are not necessary, but may help to assemble certain parts of the product.

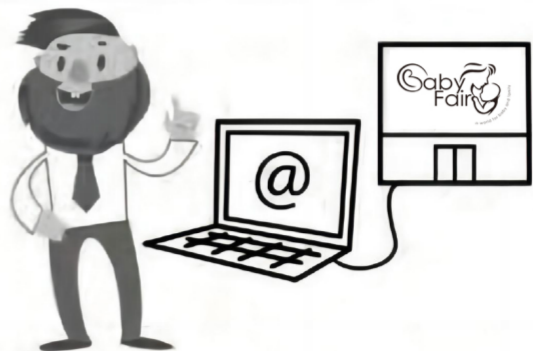
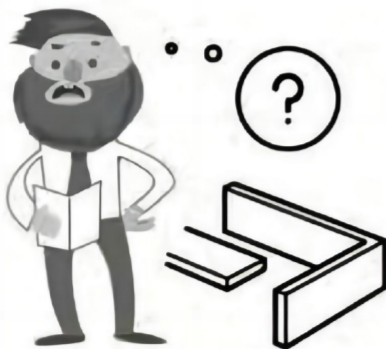
Do NOT use any power tools as this may damage the frame.



This product or some parts of this product will be heavy. Please use an assistant when lifting.

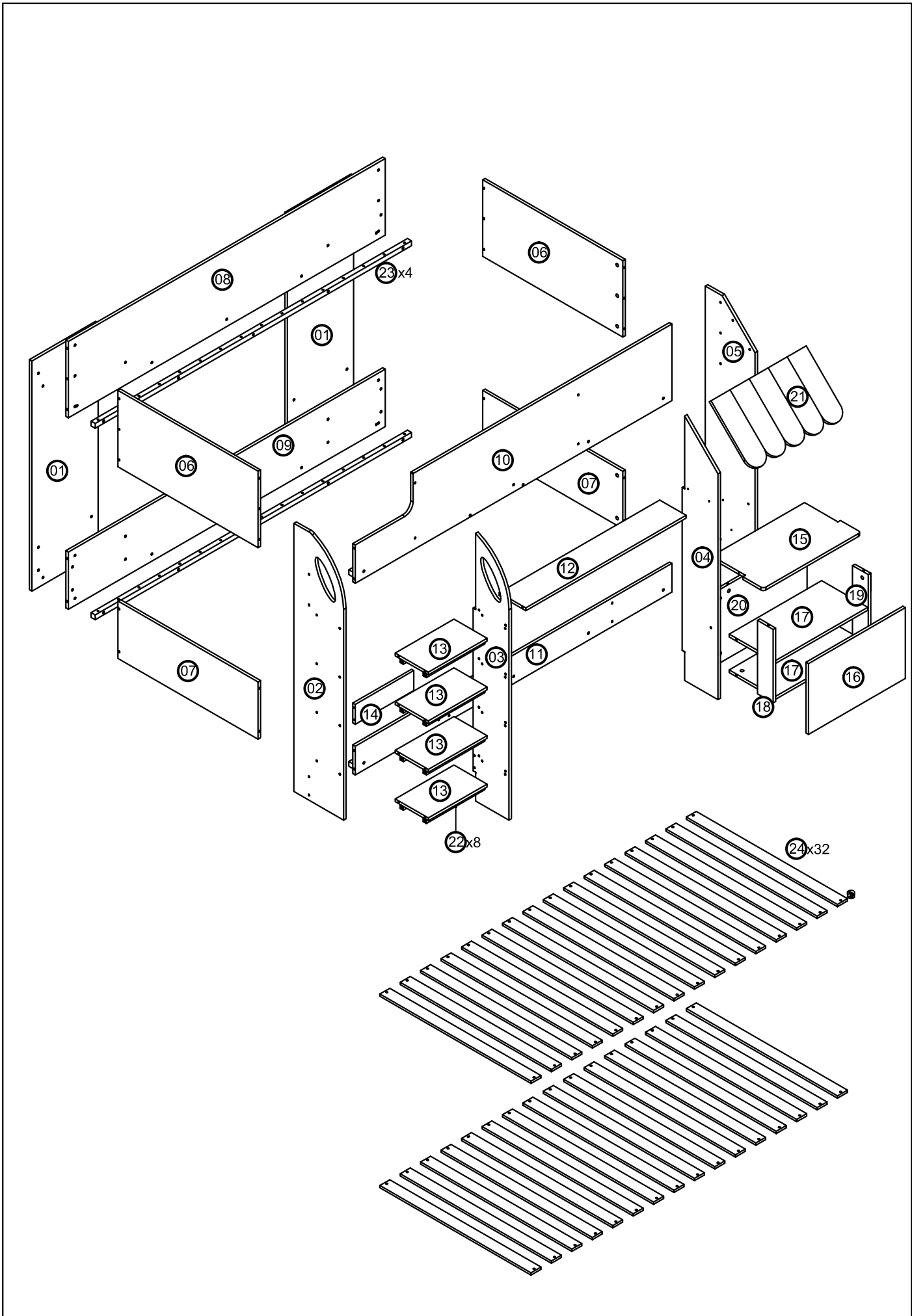


Never drag or push the pieces across a hard or stone floor as this will cause damage to the joints. Use a carpet or a rug for extra care.



If you have problems assembling or have damaged or missing pieces, please contact us by visiting:

www.baby-fair.co.uk



Item	Name	Qty	Item	Name	Qty
01			13		
02			14		
03			15		
04			16		
05			17		
06			18		
07			19		
08			20		
09			21		
10			22		
11			23		
12			24		

Ⓐ



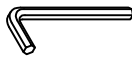
M6x35
30 PCS

Ⓑ



M6x15
32 PCS

Ⓒ



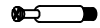
4#
2 PCS

Ⓓ



M6x25
76 PCS

Ⓔ



24 PCS

Ⓕ



34 PCS

Ⓖ



M6x60
19 PCS

Ⓗ



19 PCS

Ⓘ



M7x40
14 PCS

Ⓚ



Ø8x30
16 PCS

Ⓛ



M6x50
6 PCS

Ⓜ



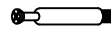
2 PCS

Ⓝ



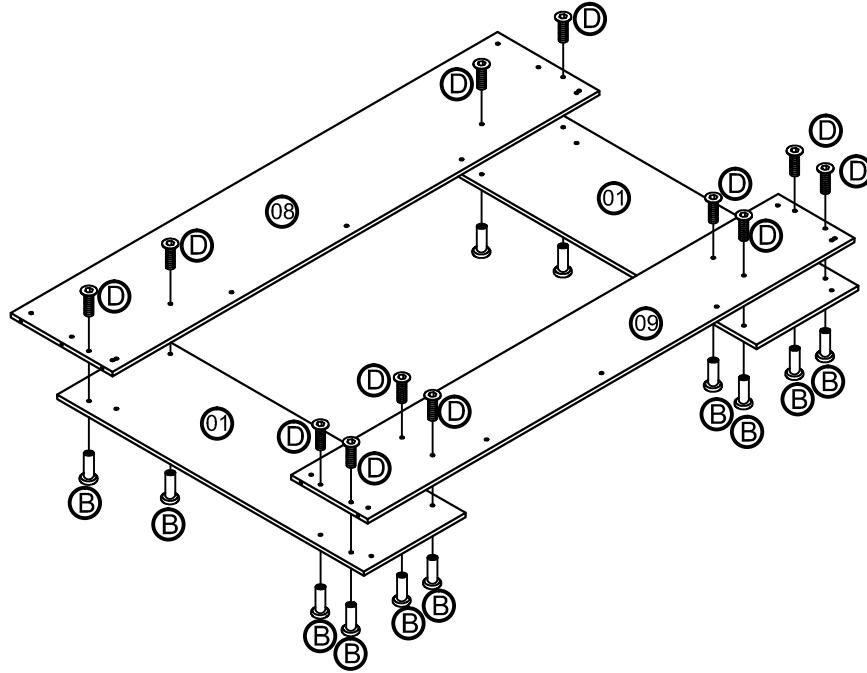
M3x12
12 PCS

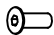

Ⓞ



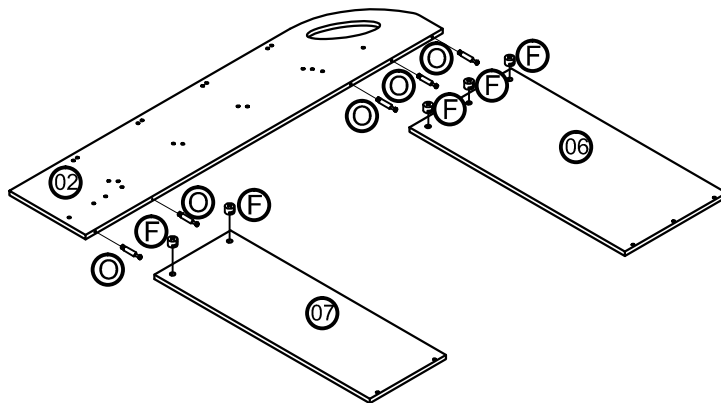
10 PCS

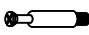

Step 1:



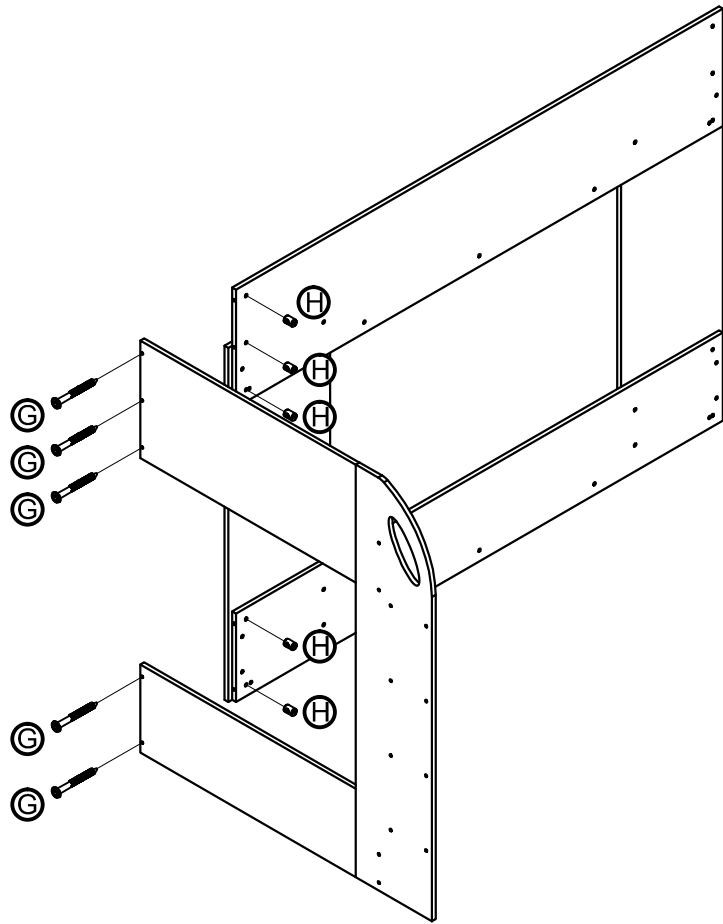
B		x12
D		x12



Step 2:



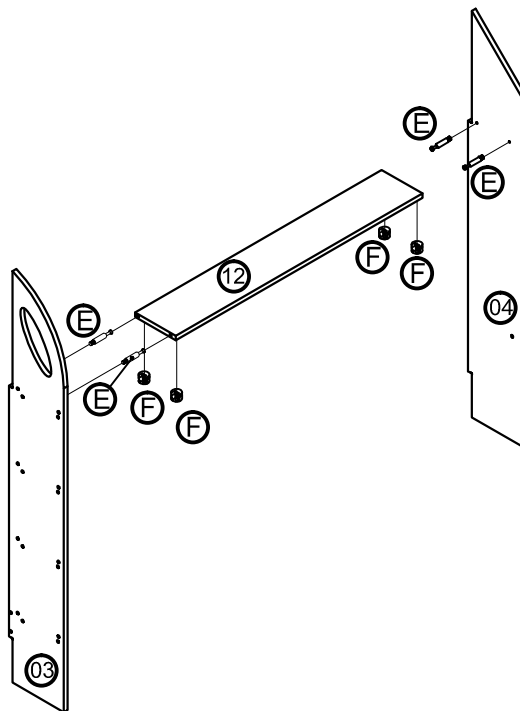
O		x5
F		x5

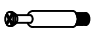

Step 3:



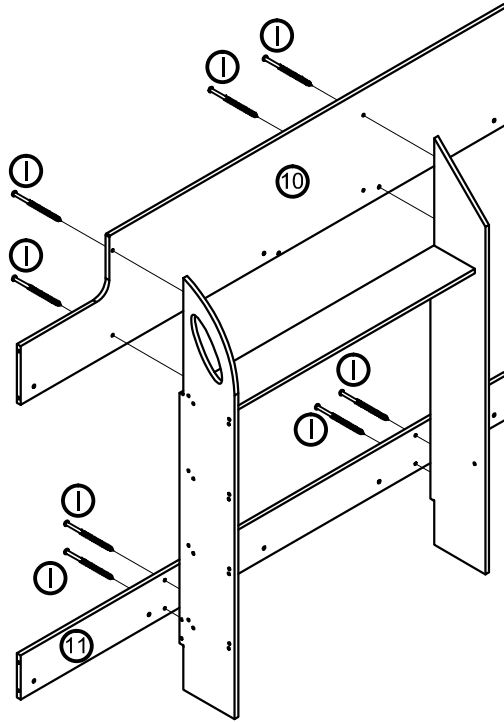
G		x5
H		x5


Step 4:



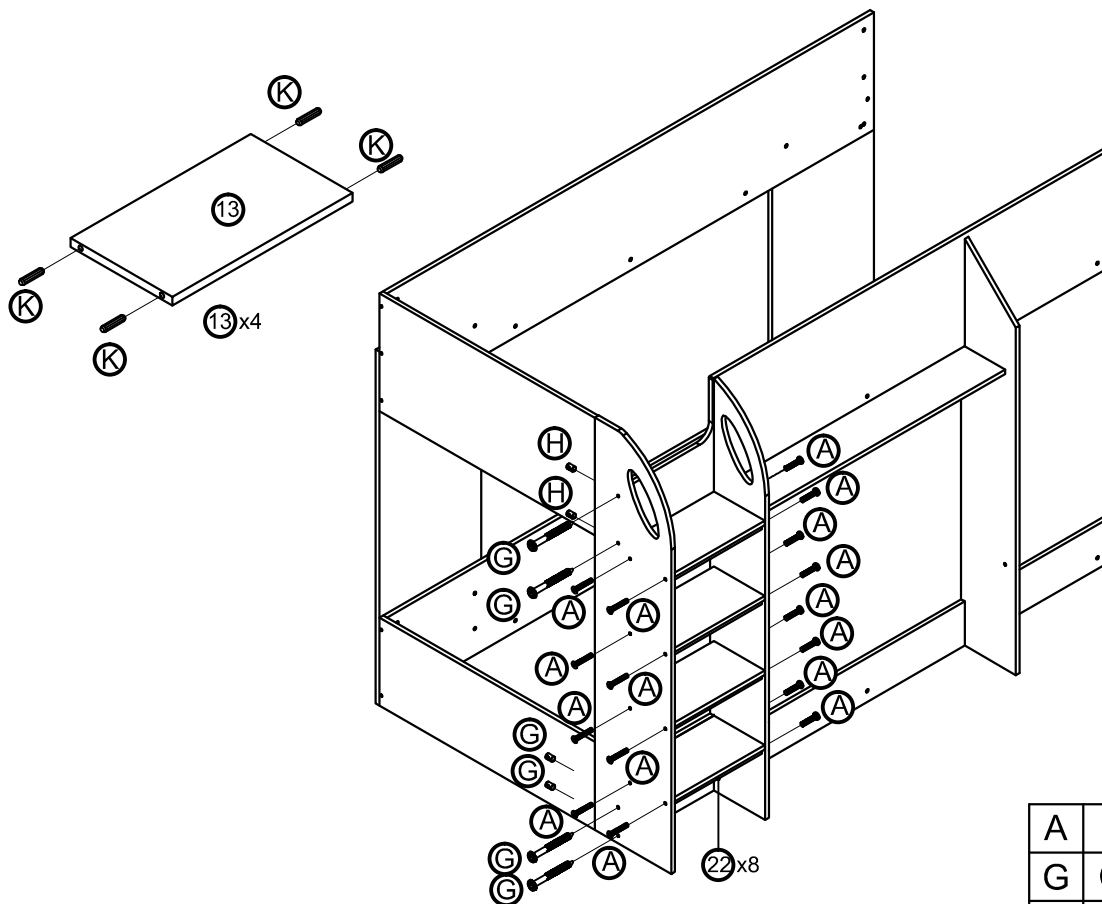
E		x4
F		x4





Step 5:



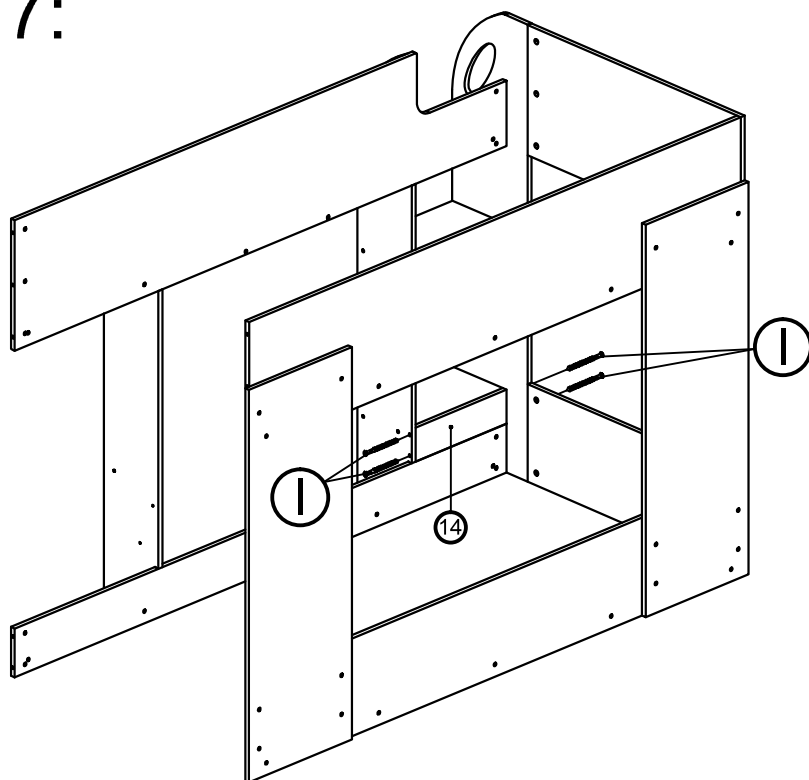
I  x8


Step 6:



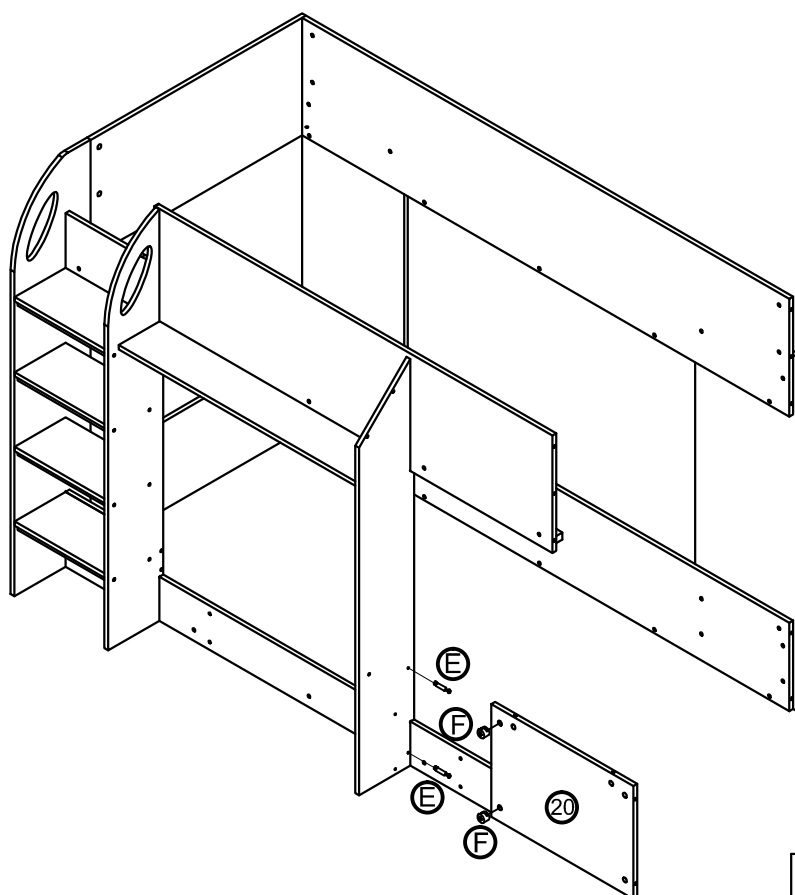
A		x16
G		x4
H		x4
K		x16

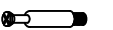

Step 7:



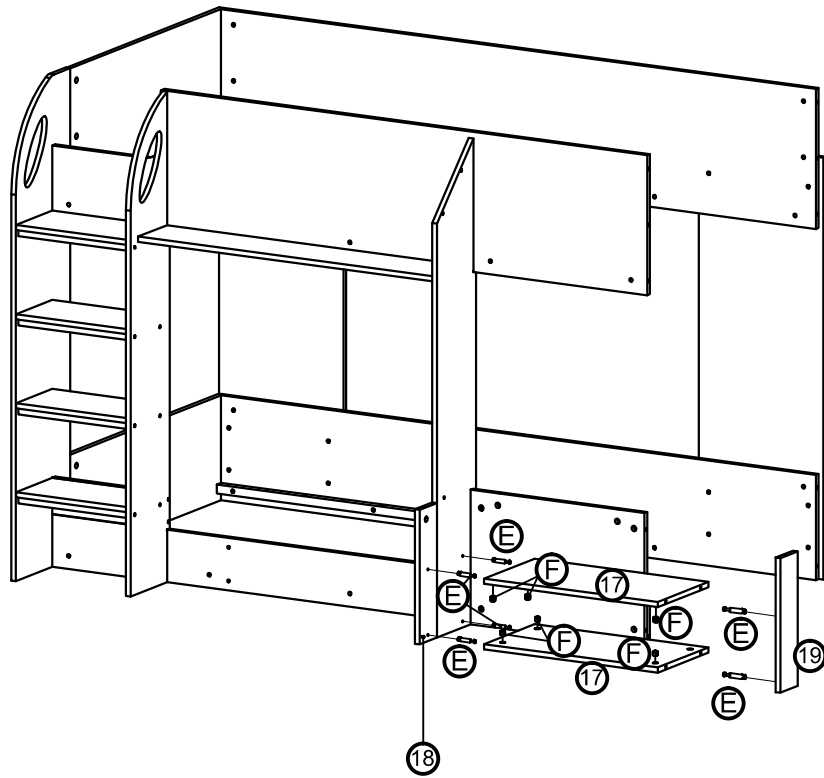
I		x4
---	---	----

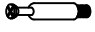

Step 8:



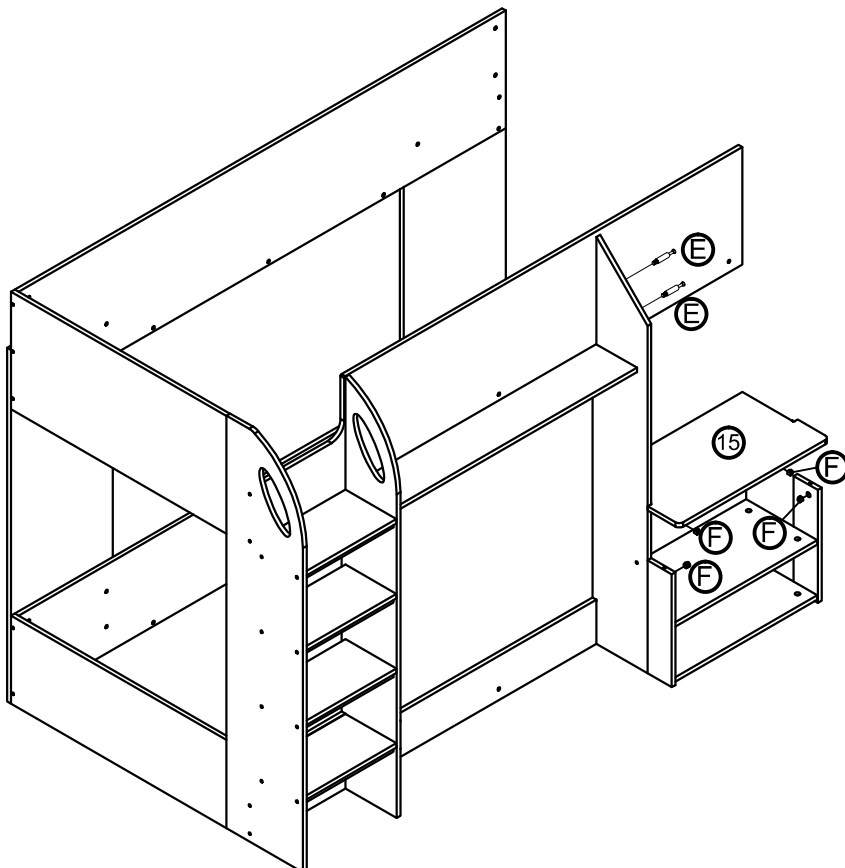
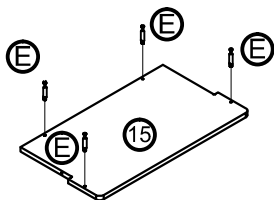
E		x2
F		x2

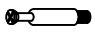

Step 9:



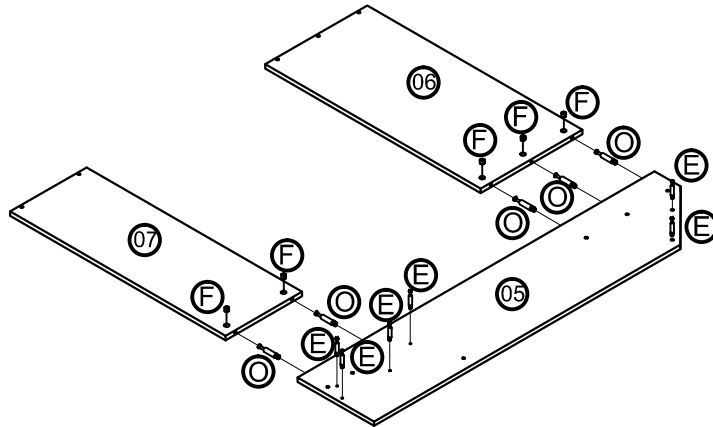
E		x6
F		x6

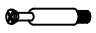

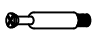
Step 10:



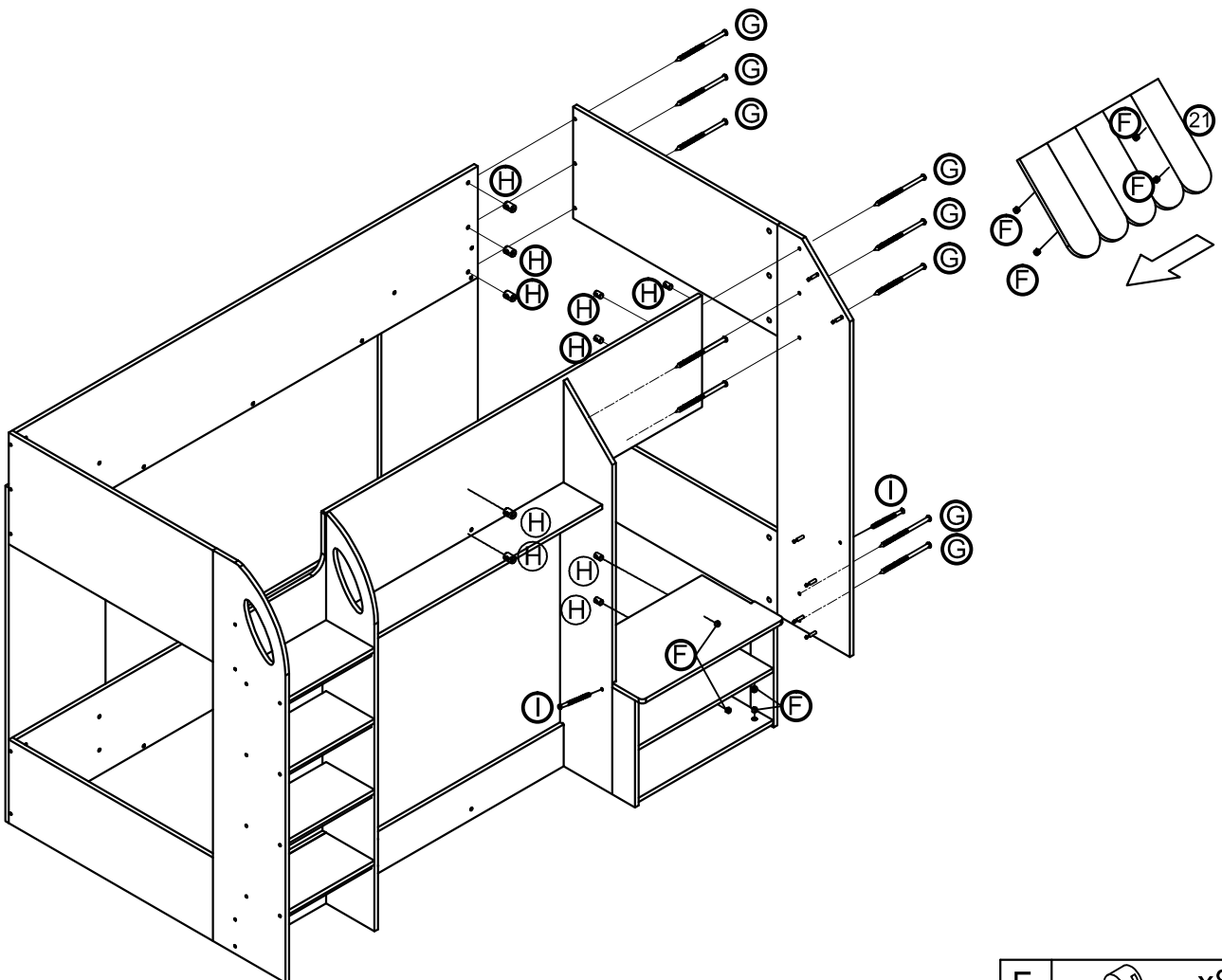
E		x6
F		x4



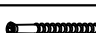

Step 11:



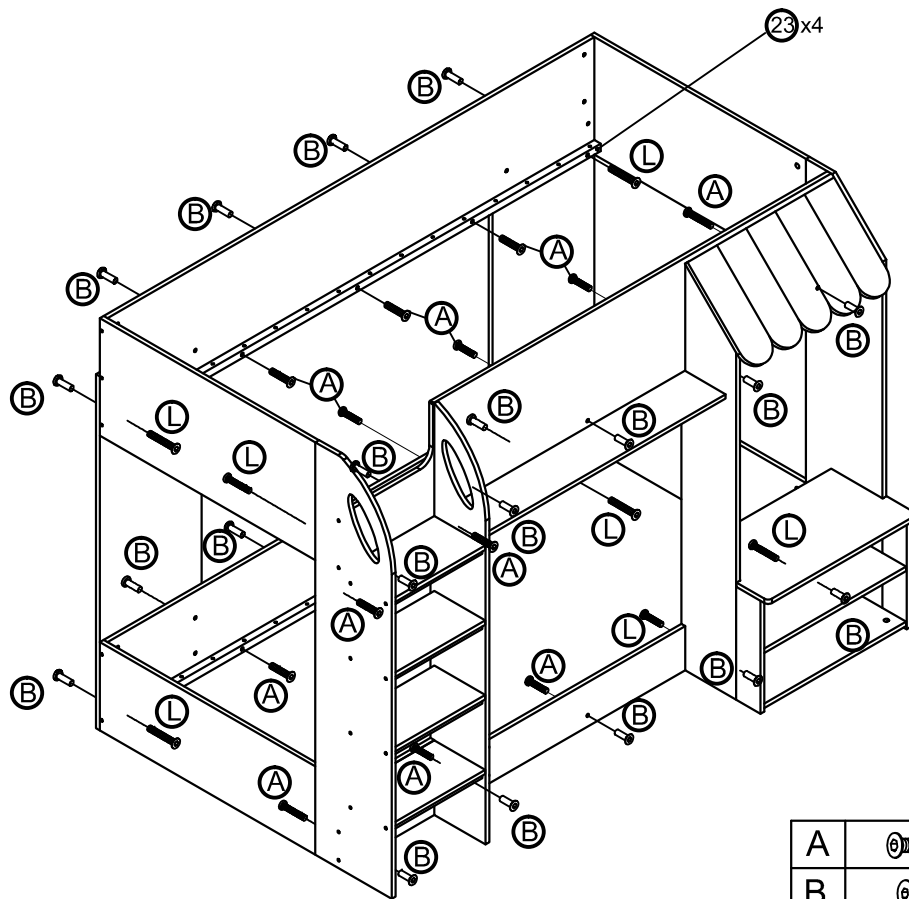
E		x6
F		x5
O		x5




Step 12:



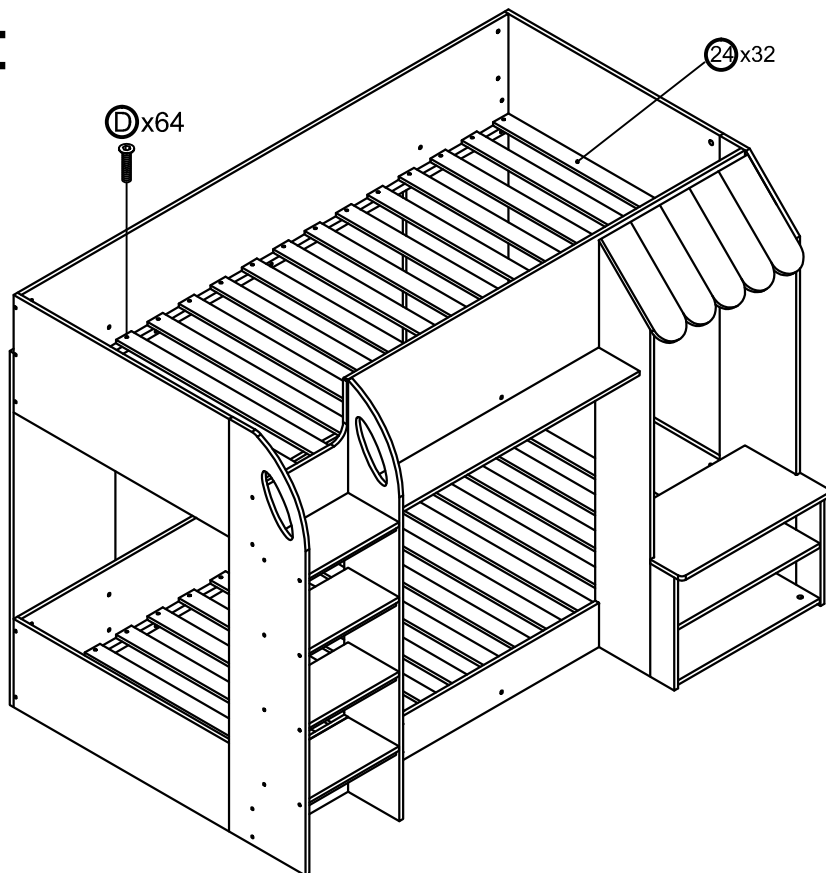
F		x8
G		x10
I		x2
H		x10


Step 13:





A		x14
B		x20
L		x6

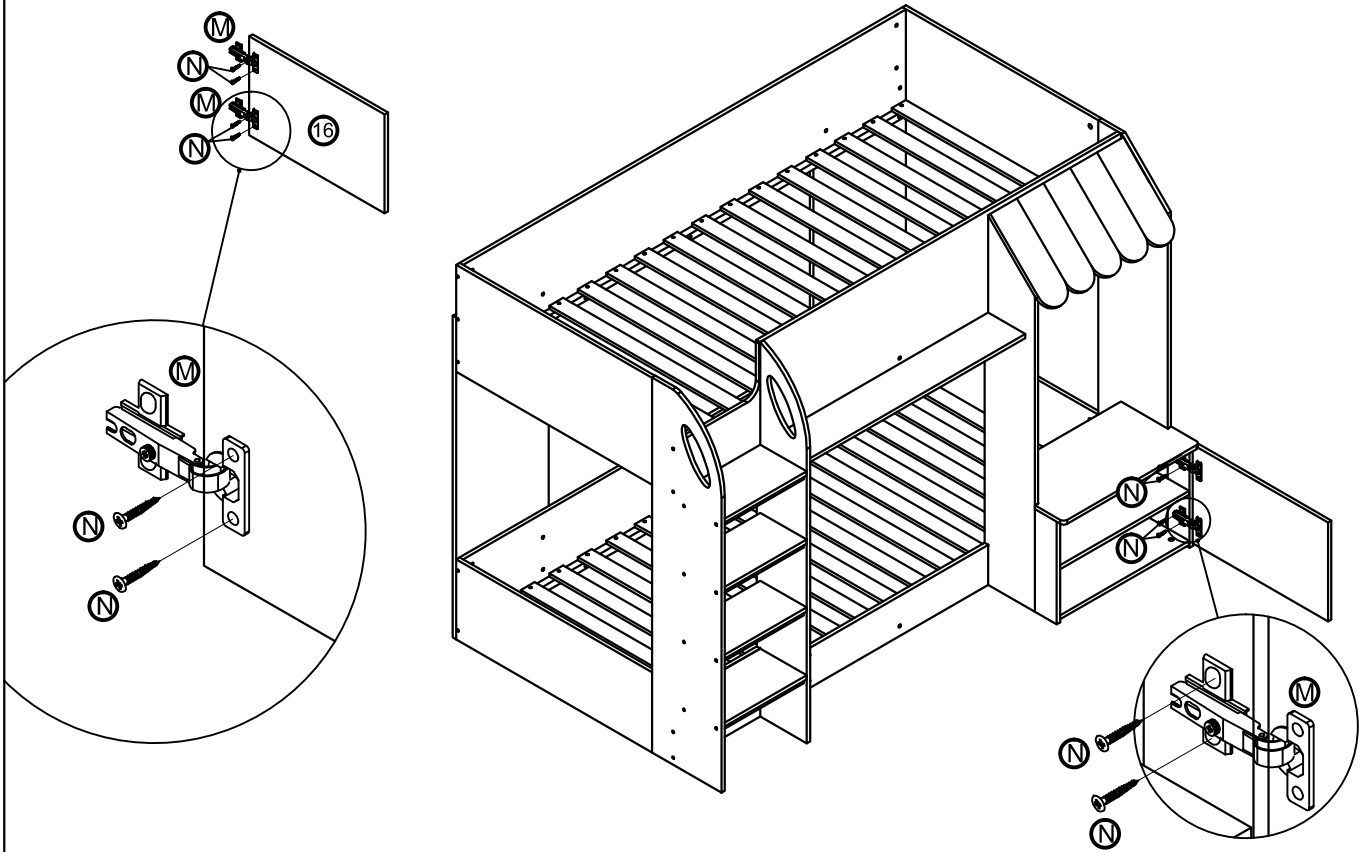
Step 14:



M		x64
---	---	-----

Step 15:

M		x2
N		x8



Step 16:

