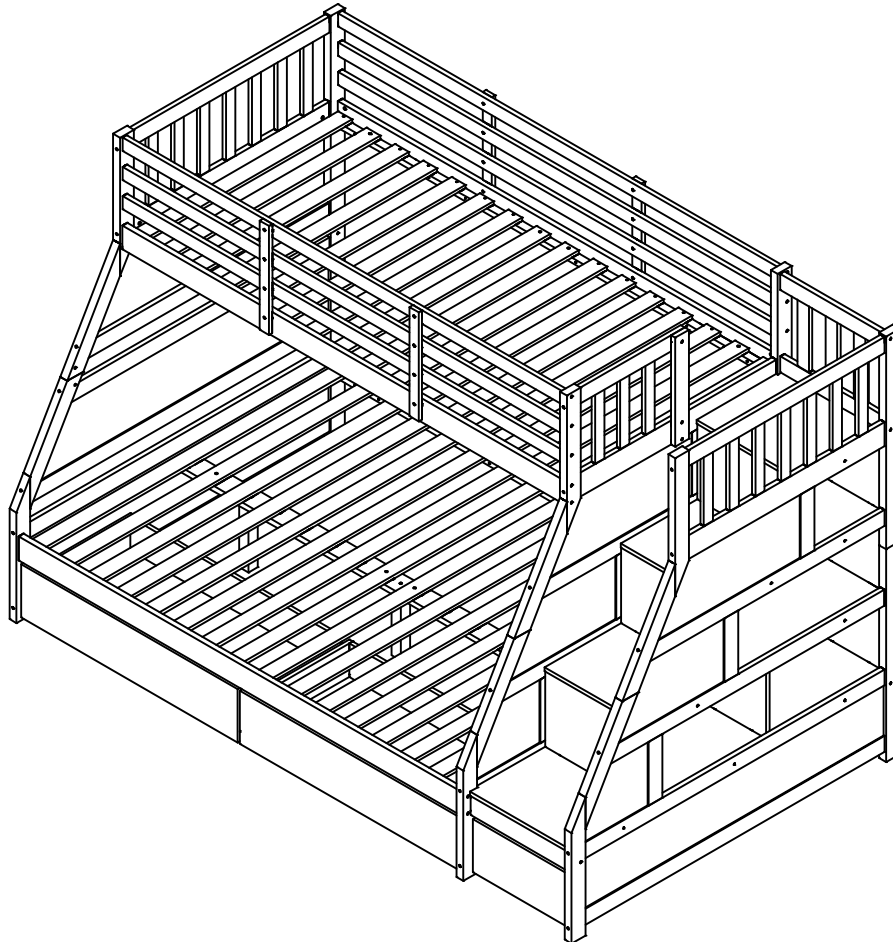




TRIPLE BUNK BED WITH STAIRS



IMPORTANT: Please read these instructions carefully before using this product and keep for future reference.

BABYFAIR LTD

Savile business centre, Mill street east, Dewsbury, WF12 9AH

www.baby-fair.co.uk

Email: support@baby-fair.co.uk

Warnings & Instructions For Safe Use & Maintenance

WARNING: Be aware of the risk of open fire and other sources of strong heat, such as electric bar fires, gas fires etc, in the vicinity of the cot/bed.

WARNING: Do not use the product if any part is broken, damaged, torn or missing. Approved replacement parts can be obtained from baby-fair.co.uk phone - 0330 175 7526

WARNING: Do not leave anything in the cot/bed, or place it close to another product which provides a foothold or presents a danger of suffocation or strangulation. For example strings, blind/curtain cords etc.

WARNING: Children are likely to play, bounce, jump and climb on beds, therefore the child's bed should not be placed too close to other furniture or windows, and should be placed either tight to any wall or have a gap of 300mm between the wall and the side of the bed.

WARNING: Do not place this child's bed near heat sources, windows and other furniture.

The lowest position of the mattress base is the safest, and should be used as soon as the baby is old enough to sit up. To prevent injury from falls, when the child is able to climb out of the cot, the cot shall no longer be used for that child.

Thickness of the mattress chosen must not reduce the internal depth (from mattress surface to top of the side) to less than 500mm with the base in its lower position or 200mm with the base in its higher position. The leg of the cot has a mark indicating this height.

If you leave the child unattended in the cot, always make sure that the dropside is in the highest position.

All assembly fittings should be tightened properly, checked regularly and re-tightened as necessary.

Screws and bolts should not be loose because a child can squeeze parts of the body, or clothing e.g string, necklaces, ribbons for babies dummies etc. could get caught. There would be a danger of strangulation.

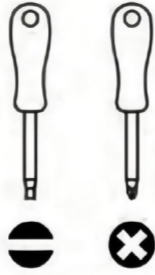
The cot/bed must be used on a level and stable surface, away from electric sockets. Once assembled do not dismantle. Never move the cot/ bed with a child in it.

Excessive chewing may damage the wood and cause splintering. If any part is damaged stop using until the correct replacement part has been obtained from baby-fair.co.uk , phone 0330 175 7526

Your cot/bed can be cleaned by wiping with a damp cloth and drying immediately with a soft clean cloth.

Do not use abrasives, bleach, alcohol or ammonia based household polishes.

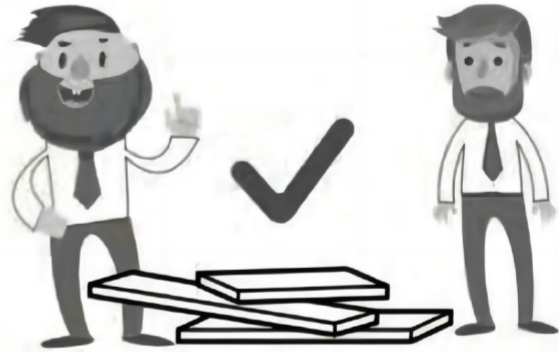
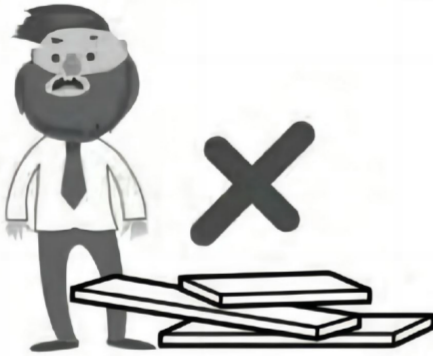
This product conforms to :EN747-1&2:2012



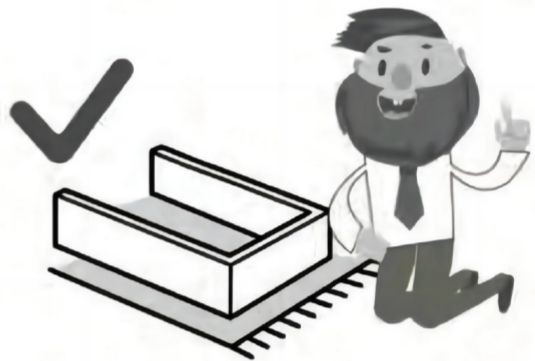
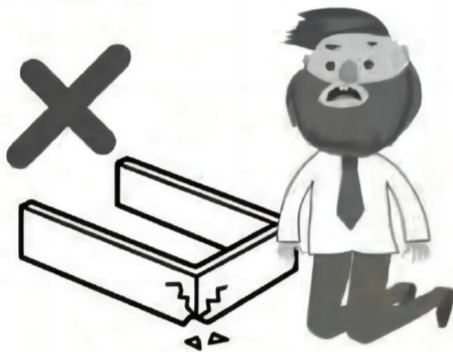
(Not metal)

These tools are not necessary, but may help to assemble certain parts of the product.

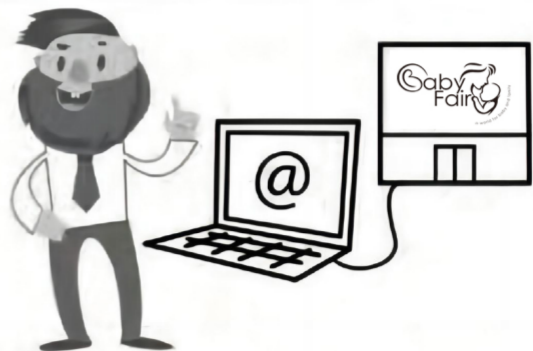
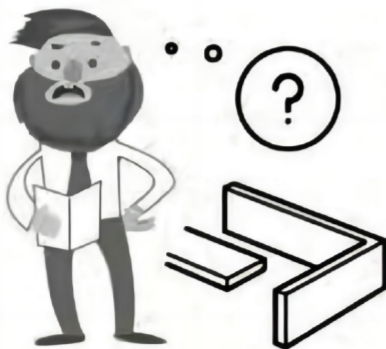
Do NOT use any power tools as this may damage the frame.



This product or some parts of this product will be heavy. Please use an assistant when lifting.

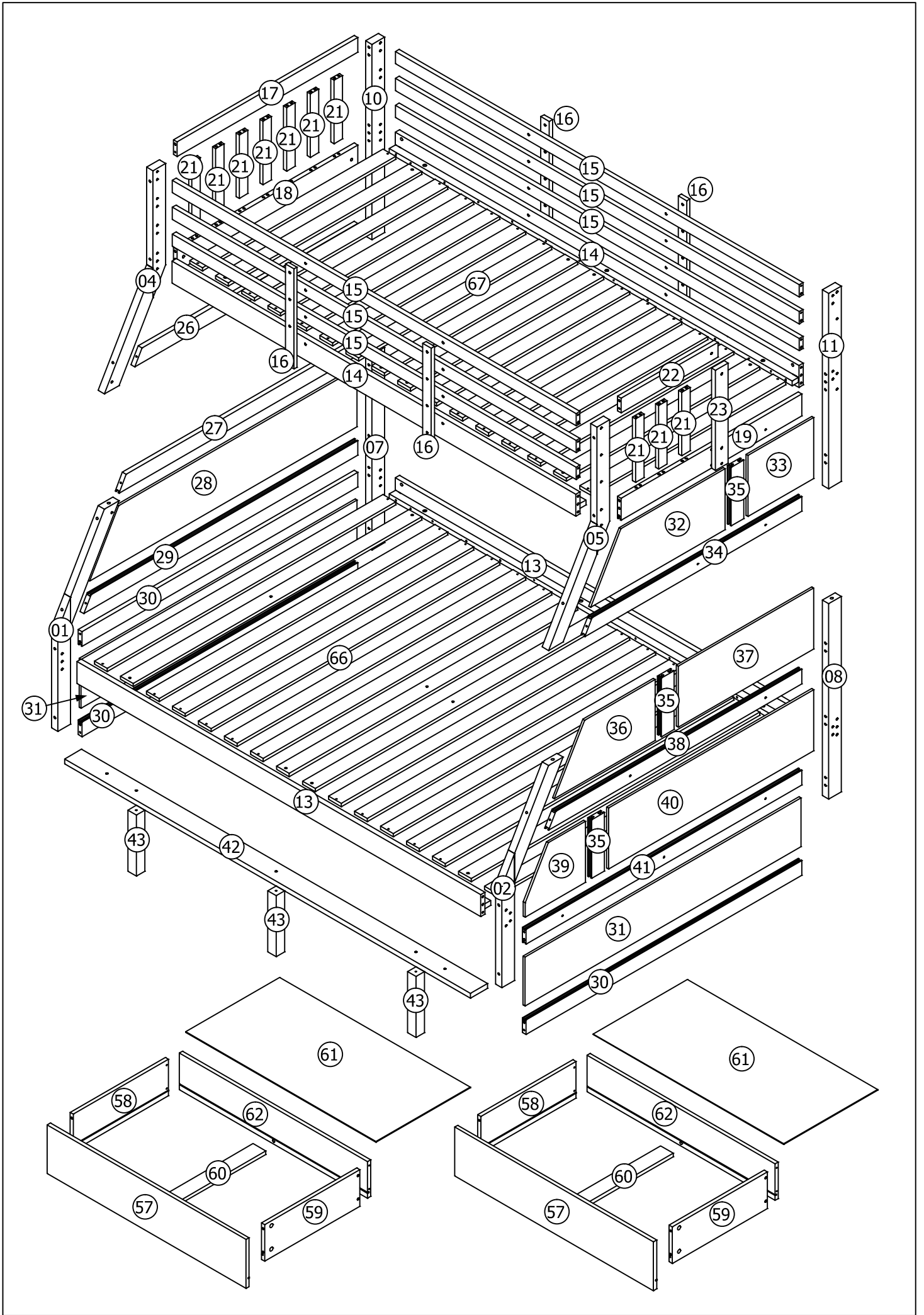


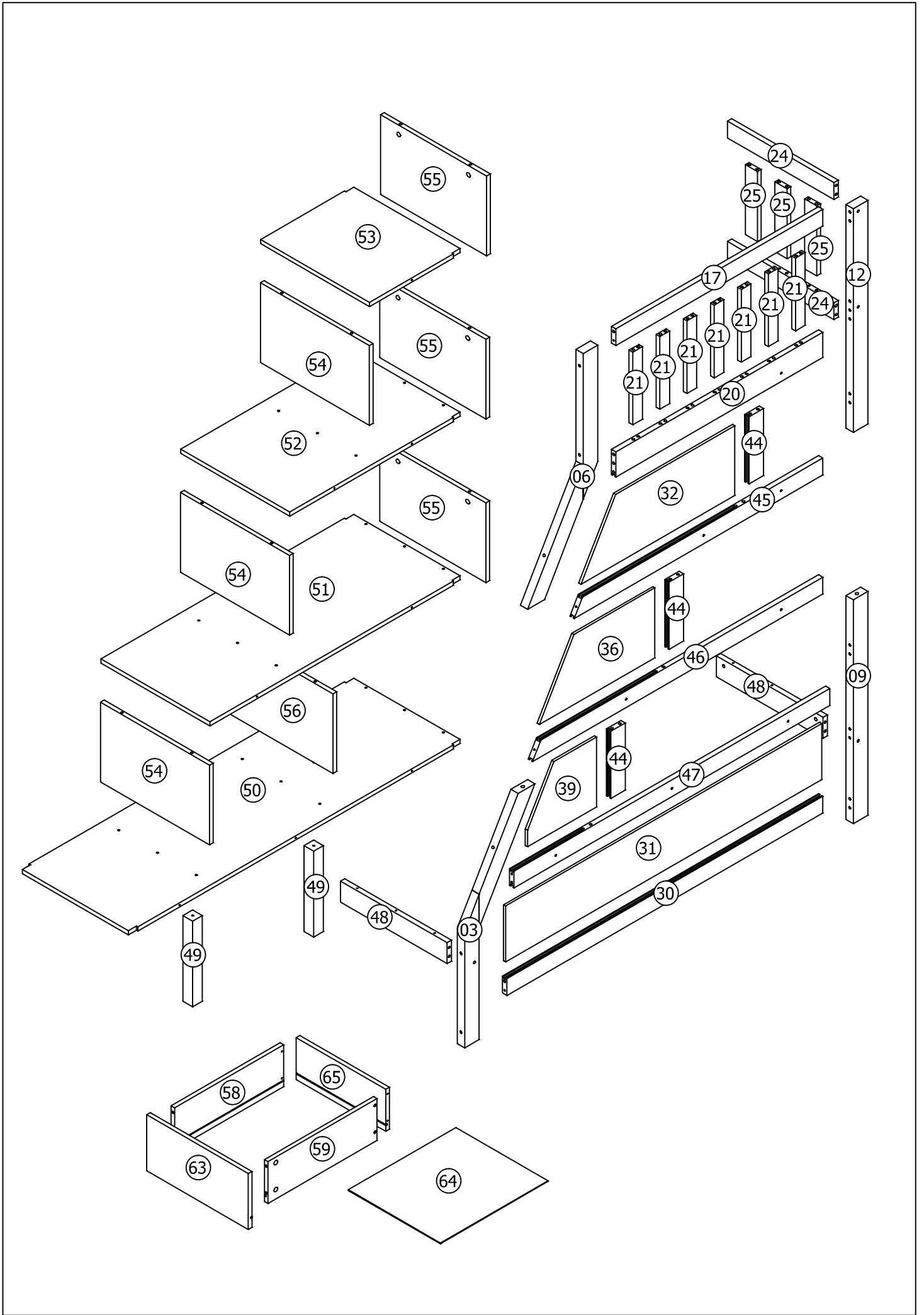
Never drag or push the pieces across a hard or stone floor as this will cause damage to the joints. Use a carpet or a rug for extra care.



If you have problems assembling or have damaged or missing pieces, please contact us by visiting:

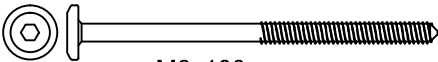



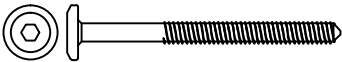

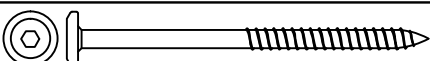

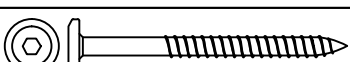


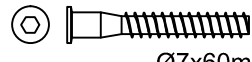

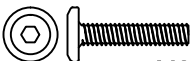


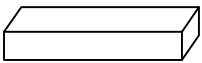
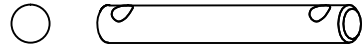

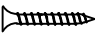


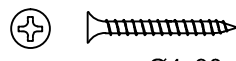

www.baby-fair.co.uk



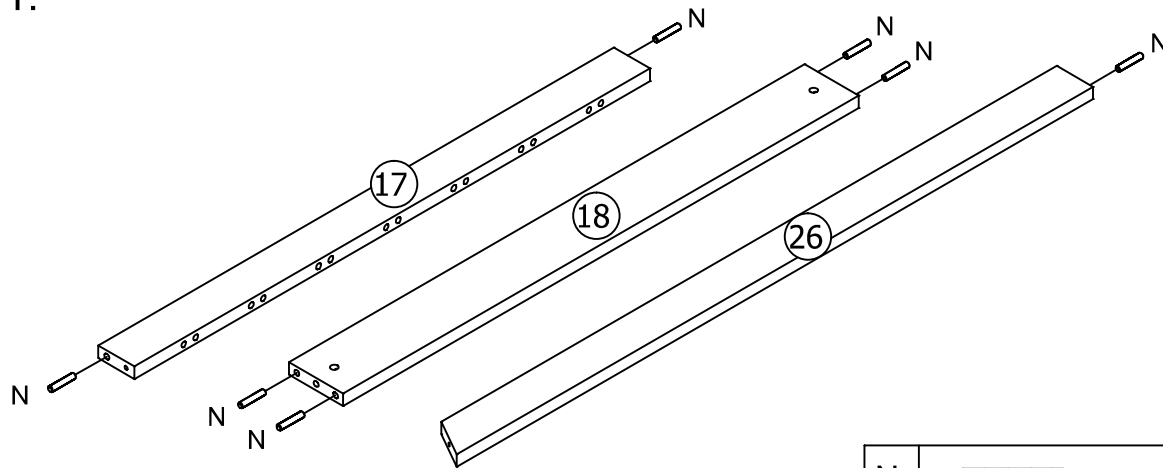



Item	Name	Qty	Item	Name	Qty
01	Left front lower lag	1 PC	36	Mid core board 3	2 PCS
02	Middle front lower lag	1 PC	37	Mid core board 4	1 PC
03	Right front lower lag	1 PC	38	Mid horizontal board 2	1 PC
04	Right front upper lag	1 PC	39	Mid core board 5	1 PC
05	Middle front upper lag	1 PC	40	Mid core board 6	1 PC
06	Right front upper lag	1 PC	41	Mid horizontal board 3	1 PC
07	Left back lower lag	1 PC	42	Middle support plate	1 PC
08	Middle back lower lag	1 PC	43	Middle supporting leg	3 PCS
09	Right back lower lag	1 PC	44	Right vertical board	3 PCS
10	Left back upper lag	1 PC	45	Right horizontal board 1	1 PC
11	Middle back upper lag	1 PC	46	Right horizontal board 2	1 PC
12	Right back upper lag	1 PC	47	Right horizontal board 3	1 PC
13	Under the bedside	2 PCS	48	Right rear lower horizontal panel	2 PCS
14	Under the bedside	2 PCS	49	Right supporting leg	2 PCS
15	Upper guardrail	6 PCS	50	Stair tread 1	1 PC
16	Guardrail reinforcement strip	4 PCS	51	Stair tread 2	1 PC
17	Top long horizontal	2 PCS	52	Stair tread 3	1 PC
18	Right top support down	1 PC	53	Stair tread 4	1 PC
19	Right top support down	1 PC	54	Front support plate for stairs	3 PCS
20	Middle top support down	1 PC	55	Back support plate for stairs	3 PCS
21	Vertical guardrail	17 PCS	56	Mid support plate for stairs	1 PC
22	Middle long horizontal	1 PC	57	Drawer panel 1	2 PCS
23	Fence reinforcement board	1 PC	58	Left drawer support board	3 PCS
24	Back long horizontal	2 PCS	59	Right drawer support board	3 PCS
25	Rear fence	3 PCS	60	Drawer bottom tray	2 PCS
26	Left horizontal board 1	1 PC	61	Drawer bottom plate 1	2 PCS
27	Left horizontal board 2	1 PC	62	Drawer back panel 1	2 PCS
28	Left core board 1	1 PC	63	Drawer panel 2	1 PC
29	Left horizontal board 3	1 PC	64	Drawer bottom plate 2	1 PC
30	Left horizontal board 4	4 PCS	65	Drawer back panel 2	1 PC
31	Lower core board	3 PCS	66	Bed laying board 1	12 PCS
32	Mid core board 1	2 PCS	67	Bed laying board 2	4 PCS
33	Mid core board 2	1 PC	68	Bed laying board 1	12 PCS
34	Mid horizontal board 1	1 PC	69	Bed laying board 2	4 PCS
35	Middle vertical board	3 PCS			

HARDWARE

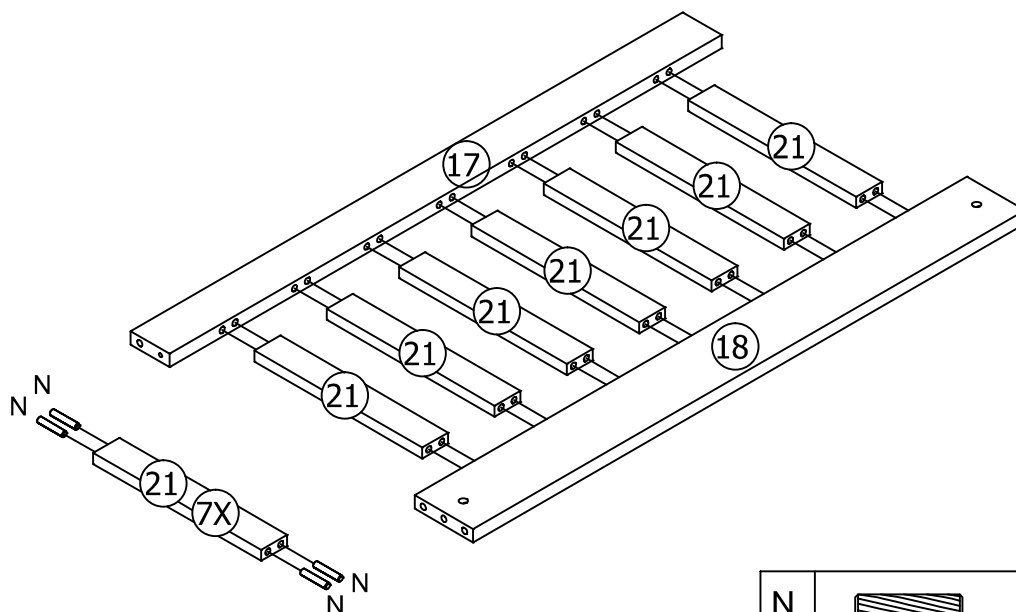
A	 M6x100mm	06	L	 M5x40mm	30
B	 Ø10x13mm	30	M	 Ø15x11mm	30
C	 M6x70mm	24	N	 Ø8x30mm	140
D	 Ø6x100mm	31	O	 H=35mm	12
E	 Ø6x70mm	12	P	 8mm  Ø4x40mm	12
F	 Ø7x60mm	05	Q	 Ø9x10mm	12
G	 M6x25mm	45	R	 4mm	02
H	 M8x20mm	21	S	 63x30x20mm	02
I	 Ø10x80mm	04	T	 Ø3x16mm 	24
J	 Ø5x50mm	37	U	 3mm	02
K	 Ø4x30mm	54	V	 40x20mm	06

Step 1:



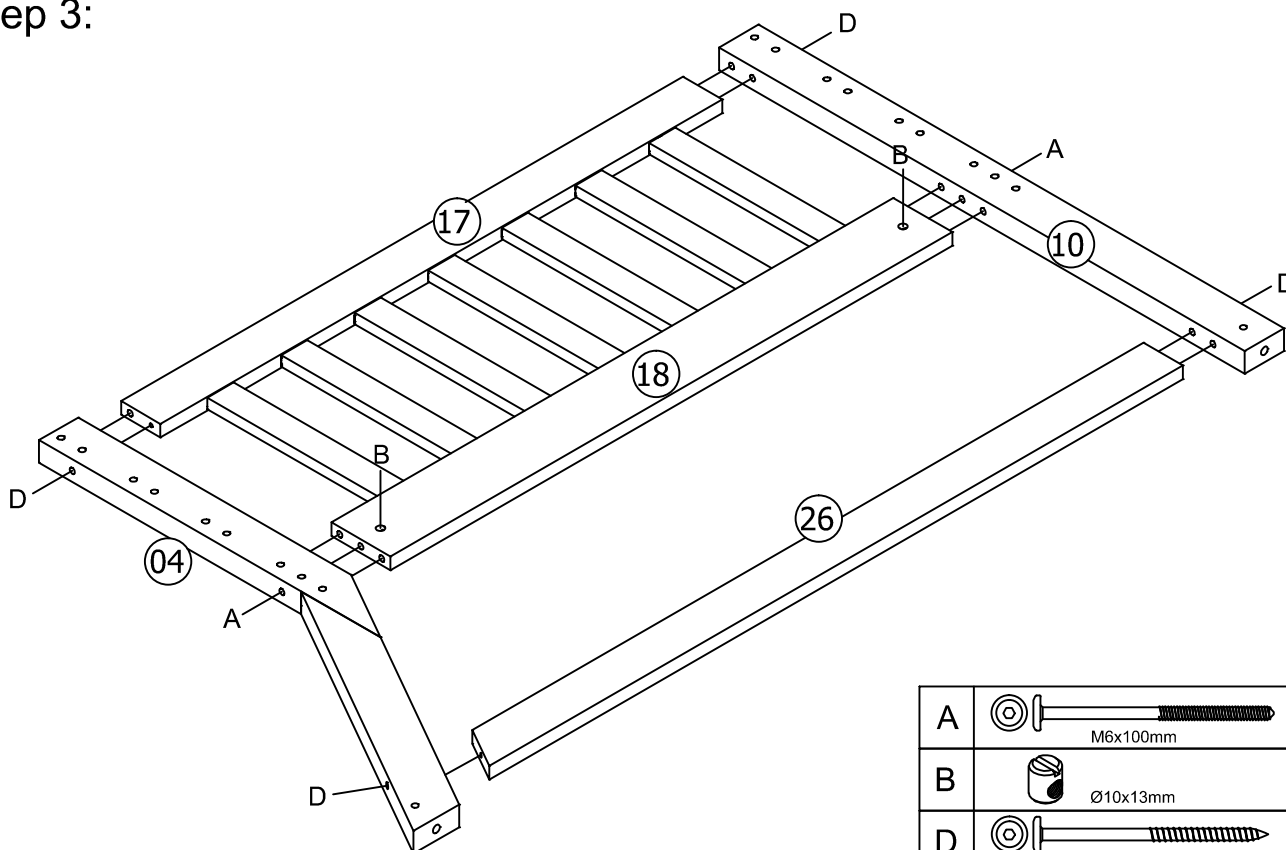
N		Ø8x30mm	07
---	---	---------	----




Step 2:



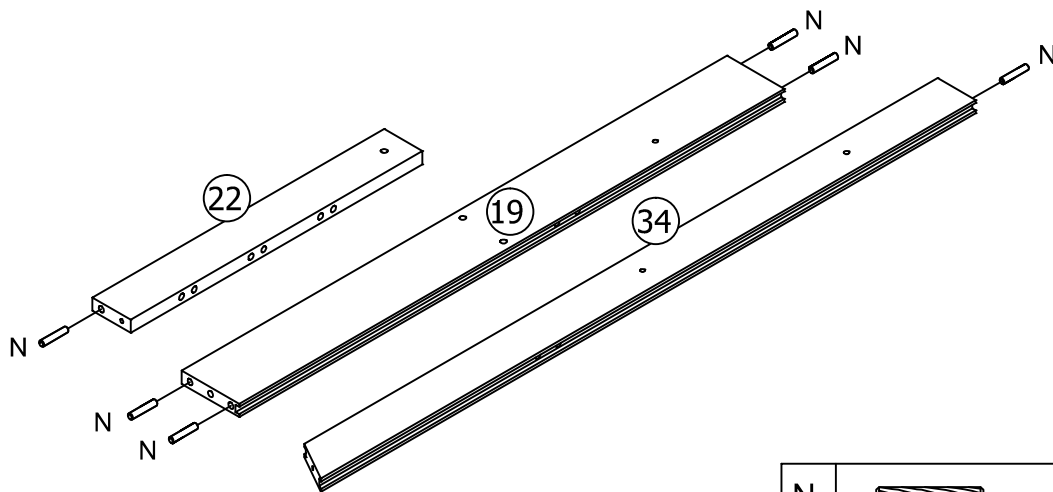
N		Ø8x30mm	28
---	---	---------	----


Step 3:



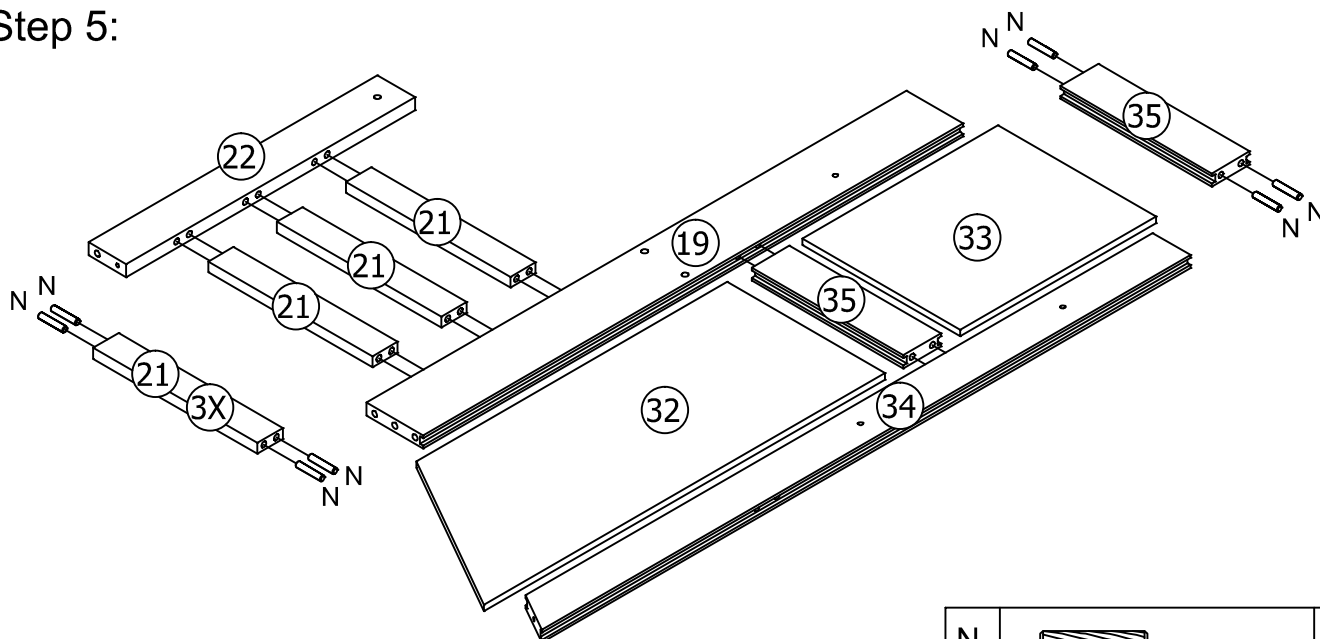
A		M6x100mm	02
B		Ø10x13mm	02
D		Ø6x100mm	04

Step 4:



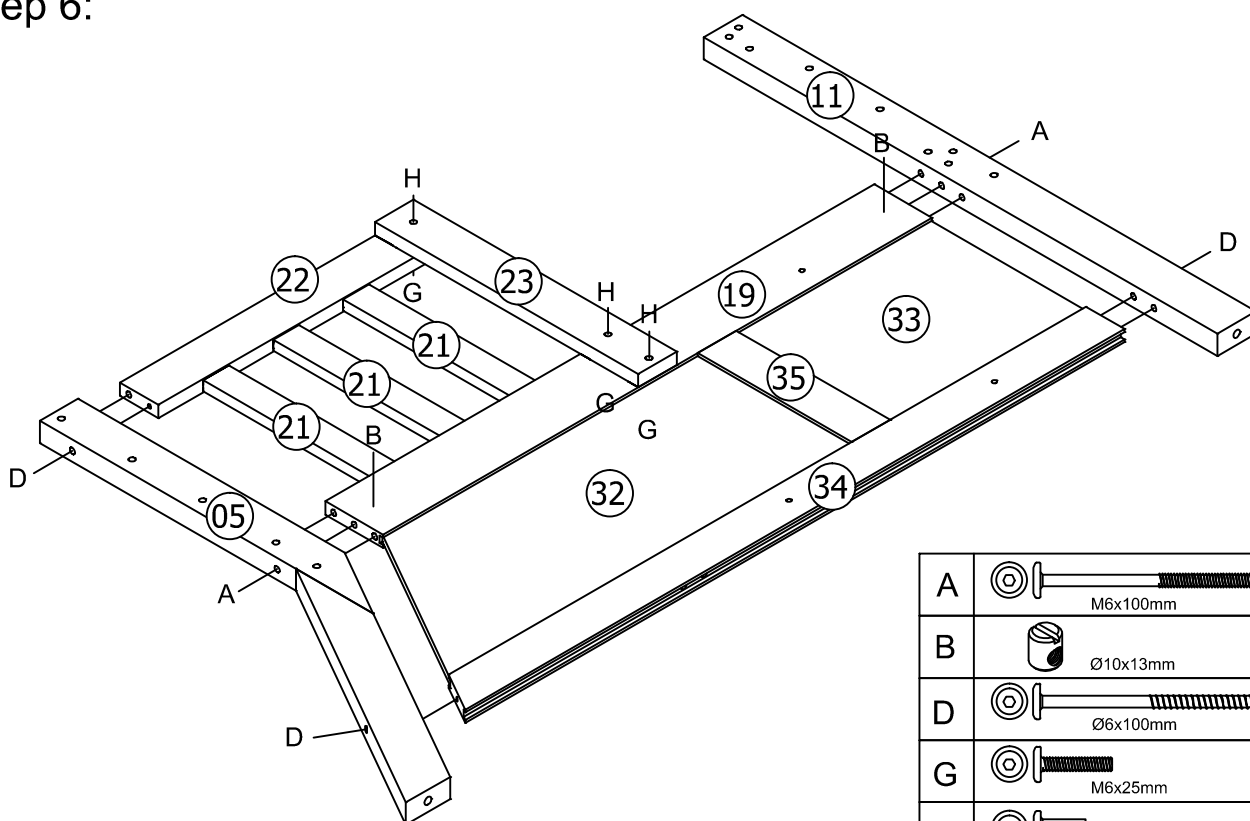
N		Ø8x30mm	06
---	---	---------	----

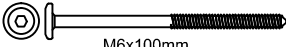

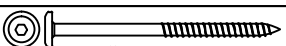
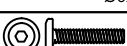
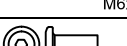
Step 5:



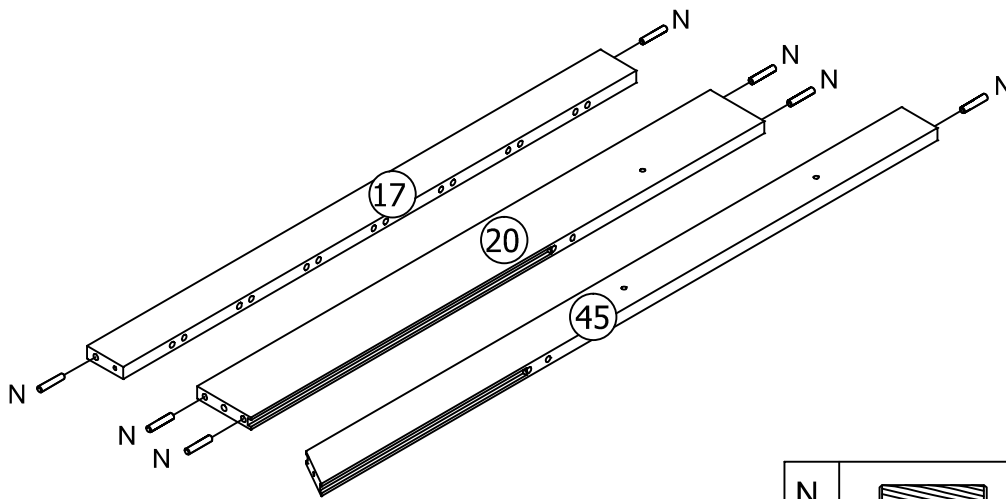
N		Ø8x30mm	16
---	---	---------	----


Step 6:



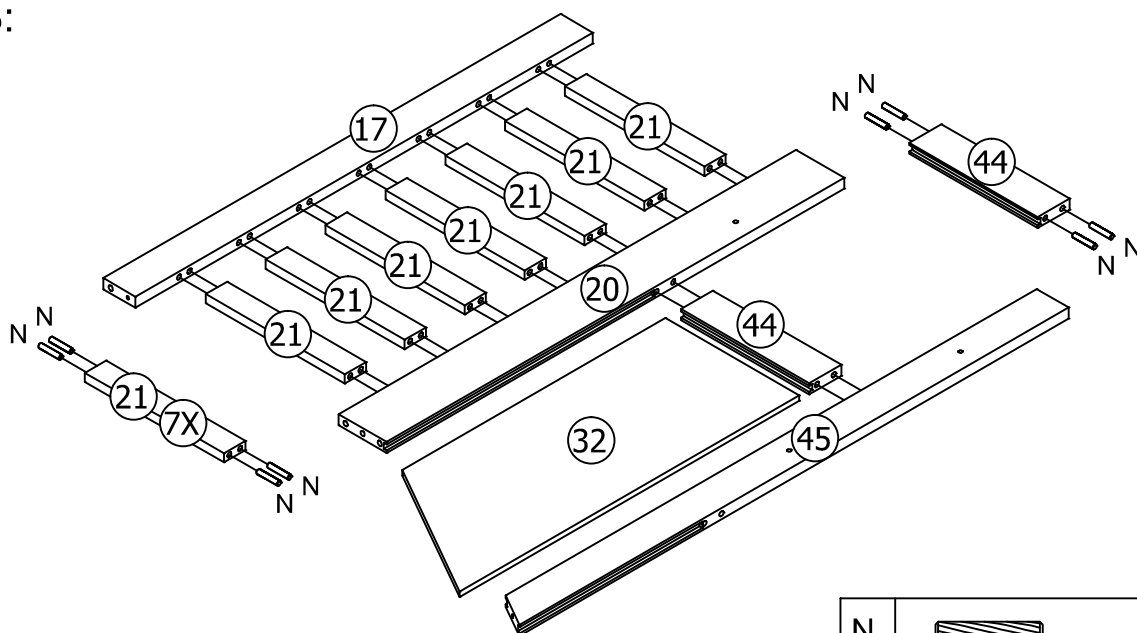
A		M6x100mm	02
B		Ø10x13mm	02
D		Ø6x100mm	03
G		M6x25mm	03
H		M8x20mm	03


Step 7:



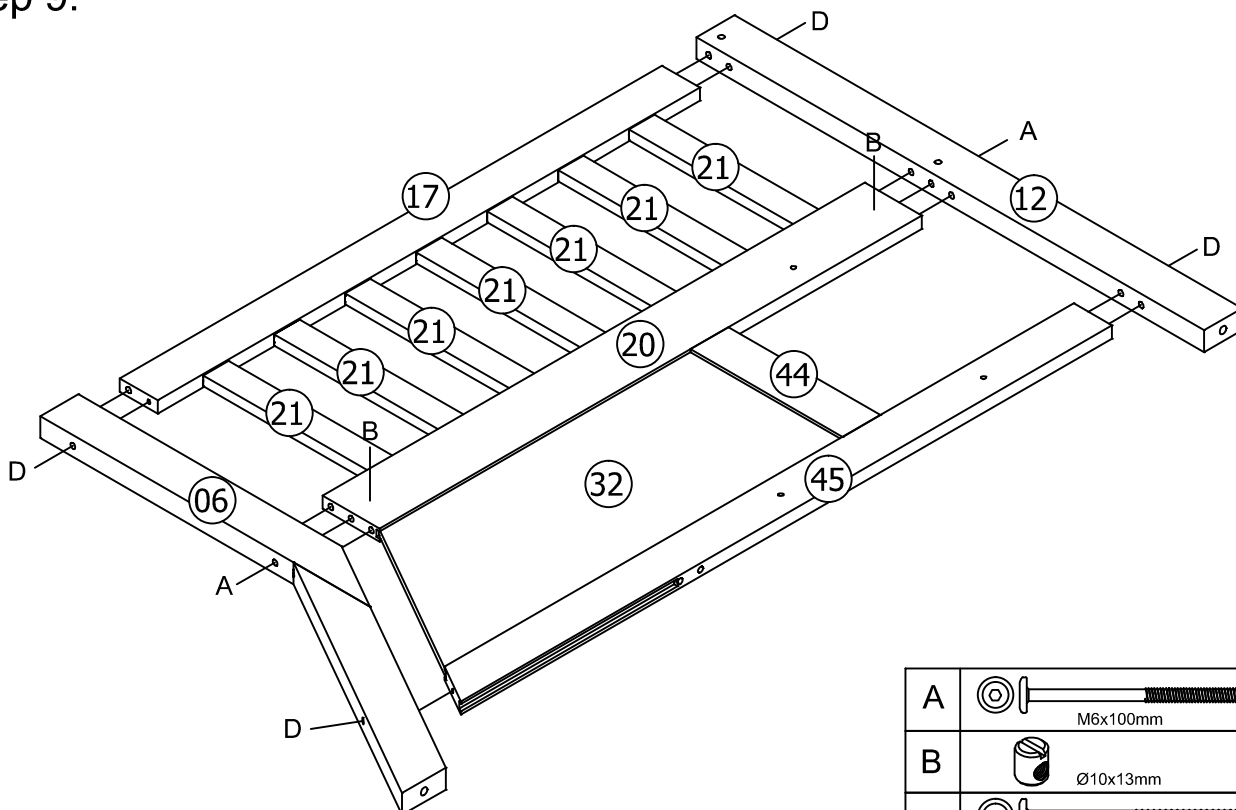
N		Ø8x30mm	07
---	---	---------	----

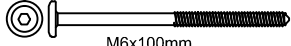

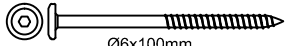
Step 8:



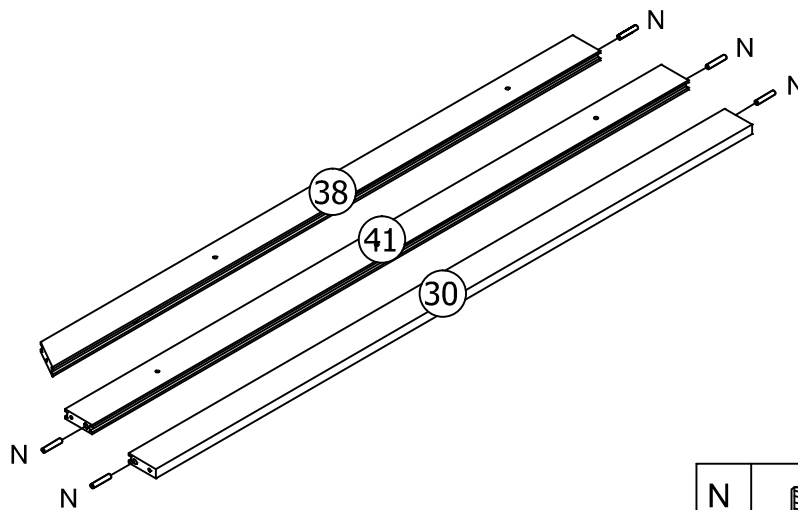
N		Ø8x30mm	32
---	---	---------	----


Step 9:



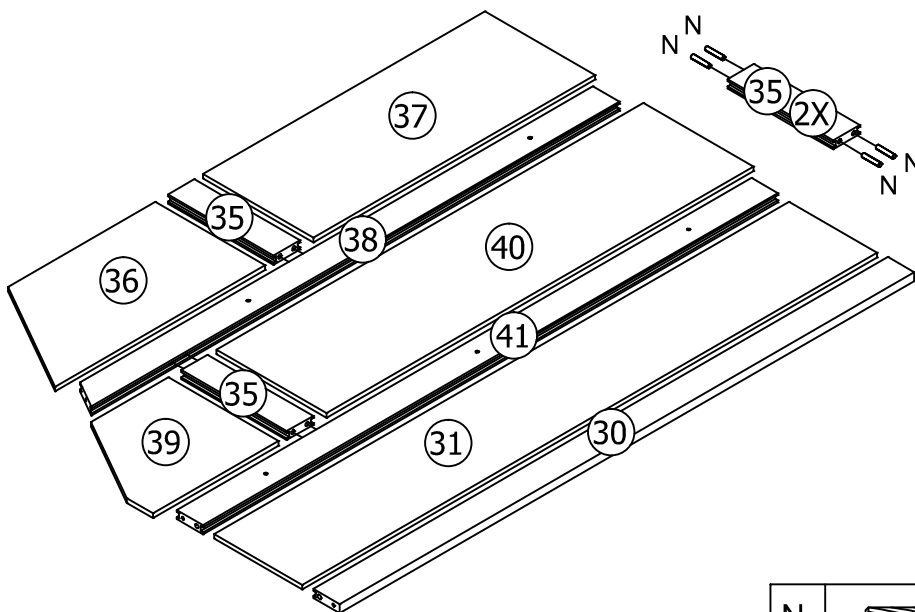
A		M6x100mm	02
B		Ø10x13mm	02
D		Ø6x100mm	04


Step 10:



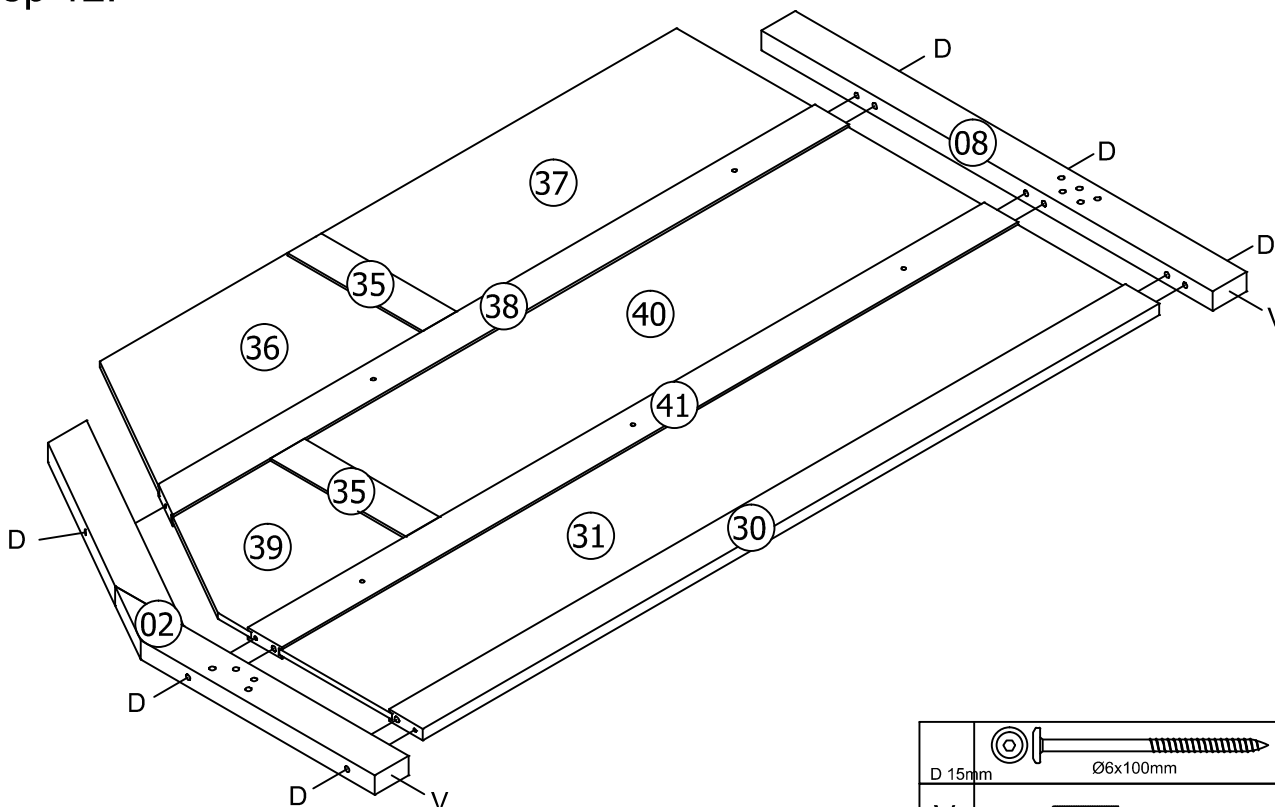
N	 Ø8x30mm	05
---	---	----

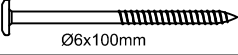

Step 11:



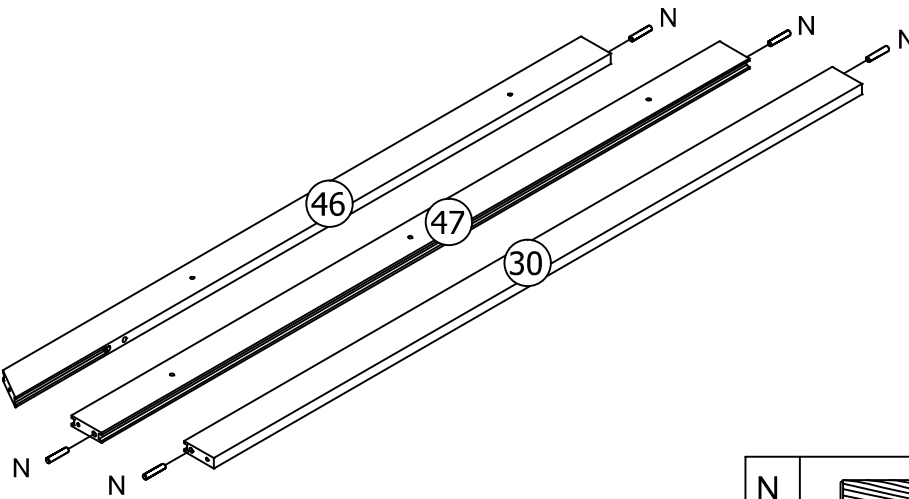
N	 Ø8x30mm	08
---	---	----


Step 12:



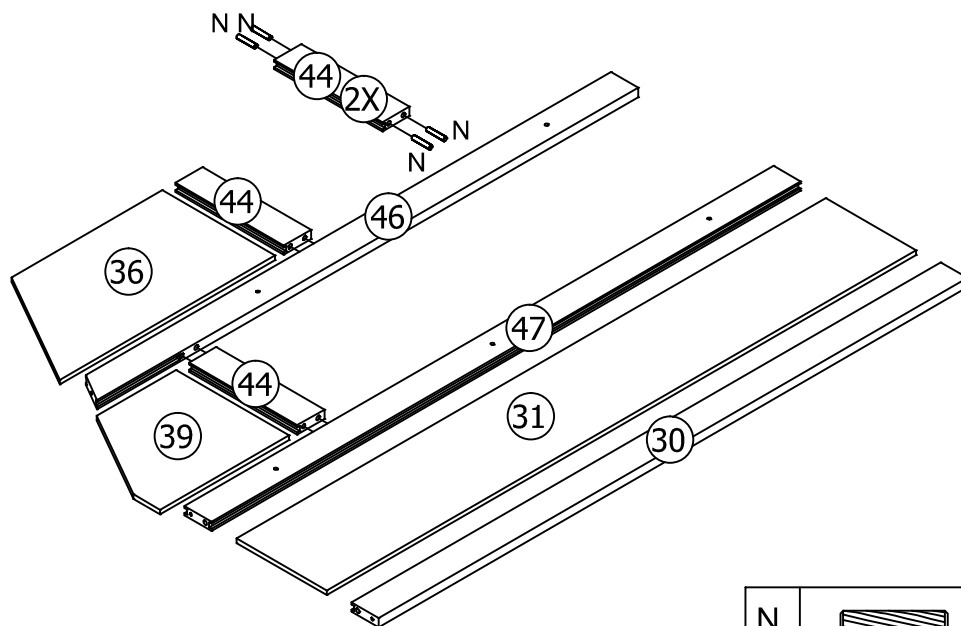
D 15mm	 Ø6x100mm	06
V	 40x20mm	02


Step 13:



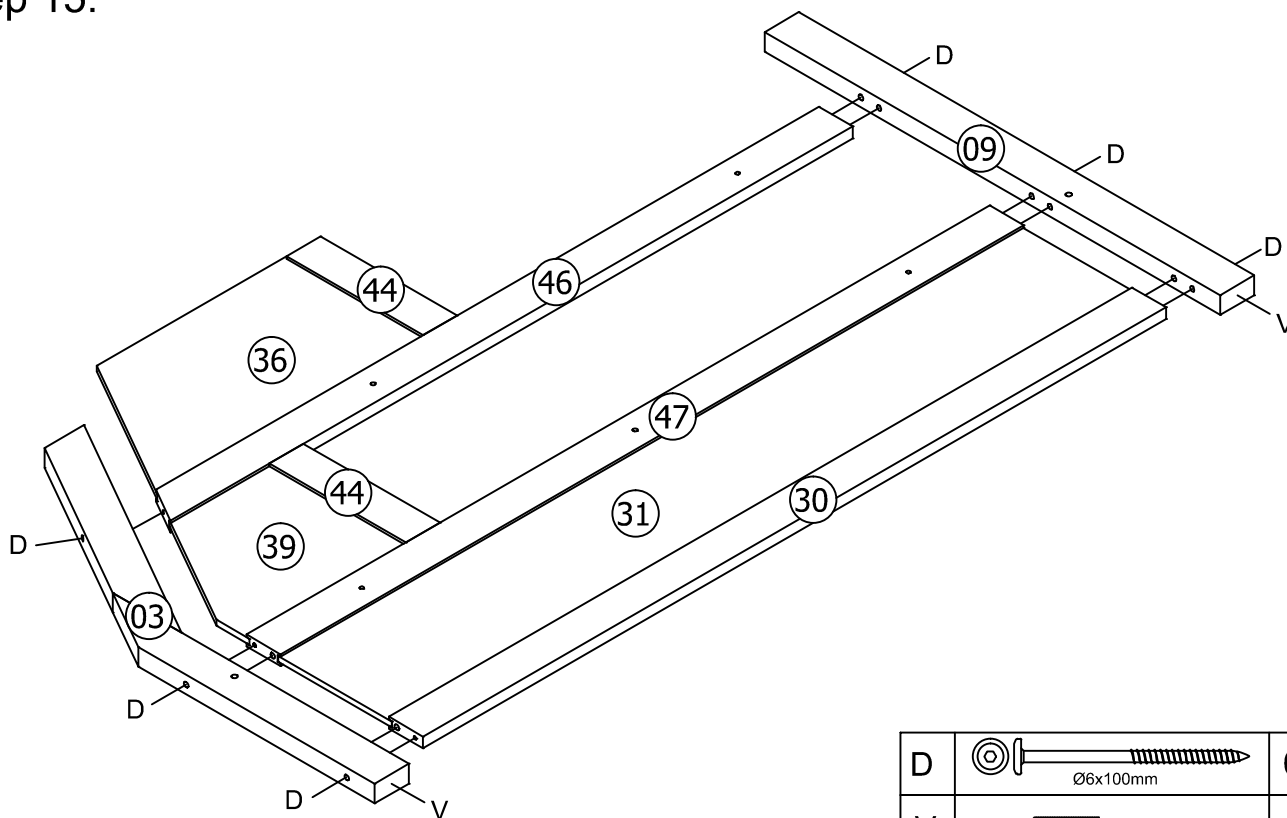
N		Ø8x30mm	05
---	---	---------	----

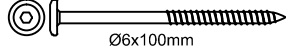

Step 14:



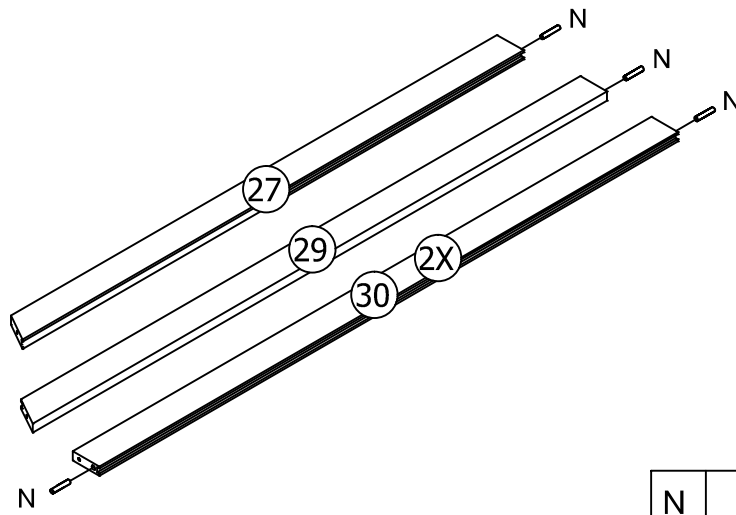
N		Ø8x30mm	08
---	---	---------	----


Step 15:



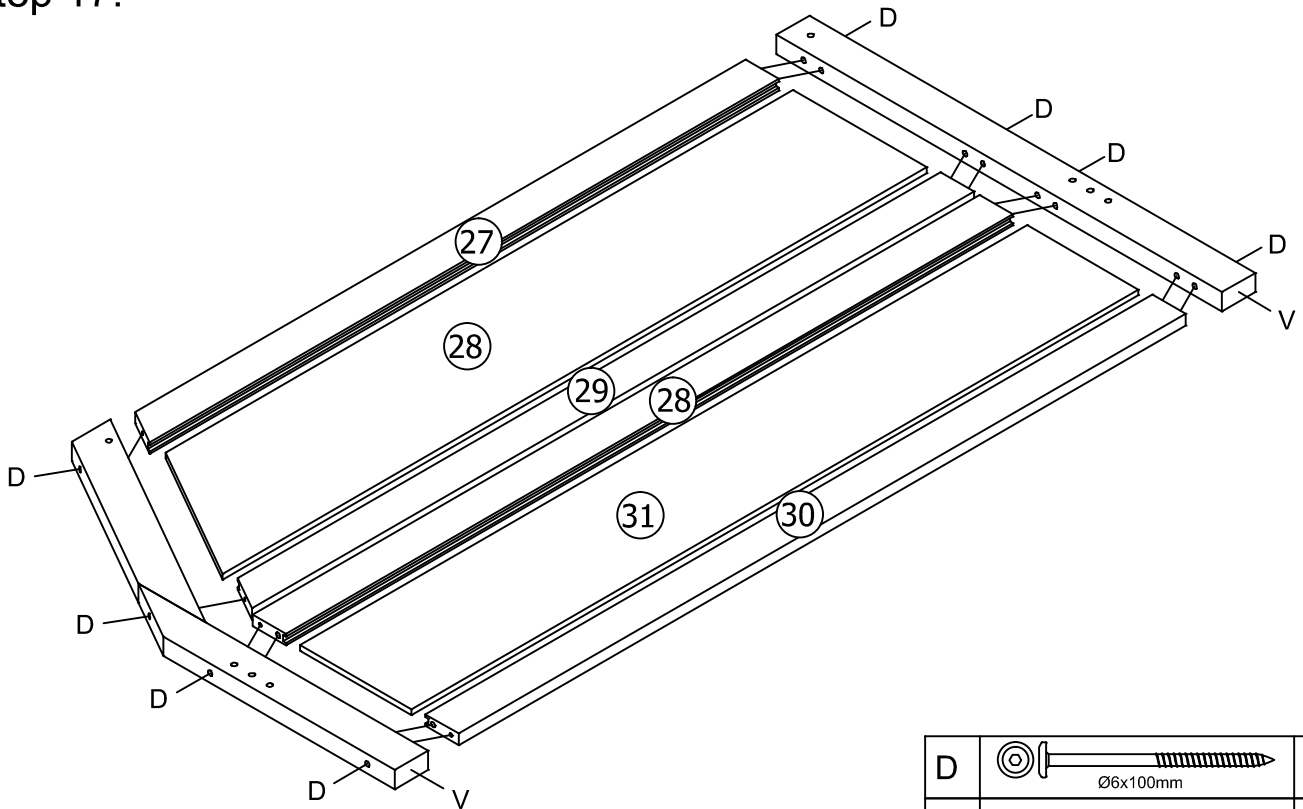
D		Ø6x100mm	06
V		40x20mm	02

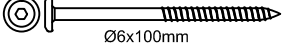

Step 16:



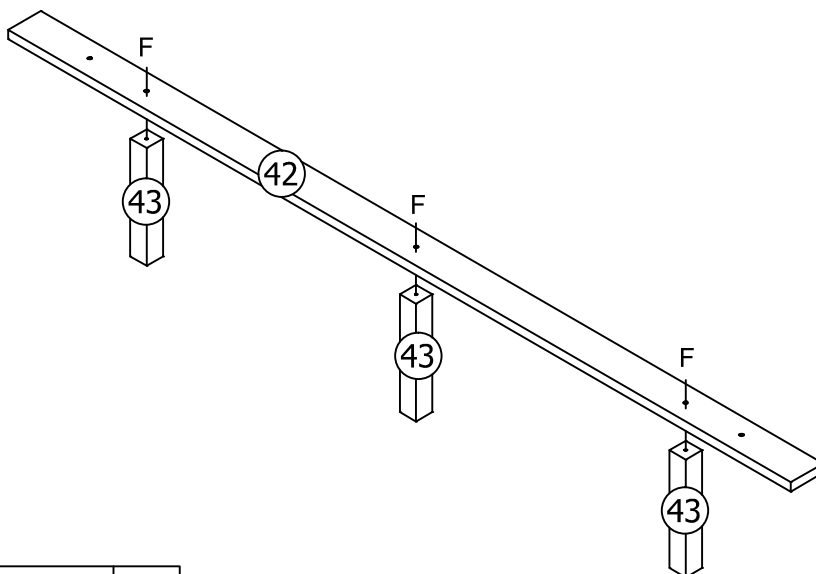
N	 Ø8x30mm	06
---	---	----

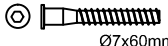
Step 17:



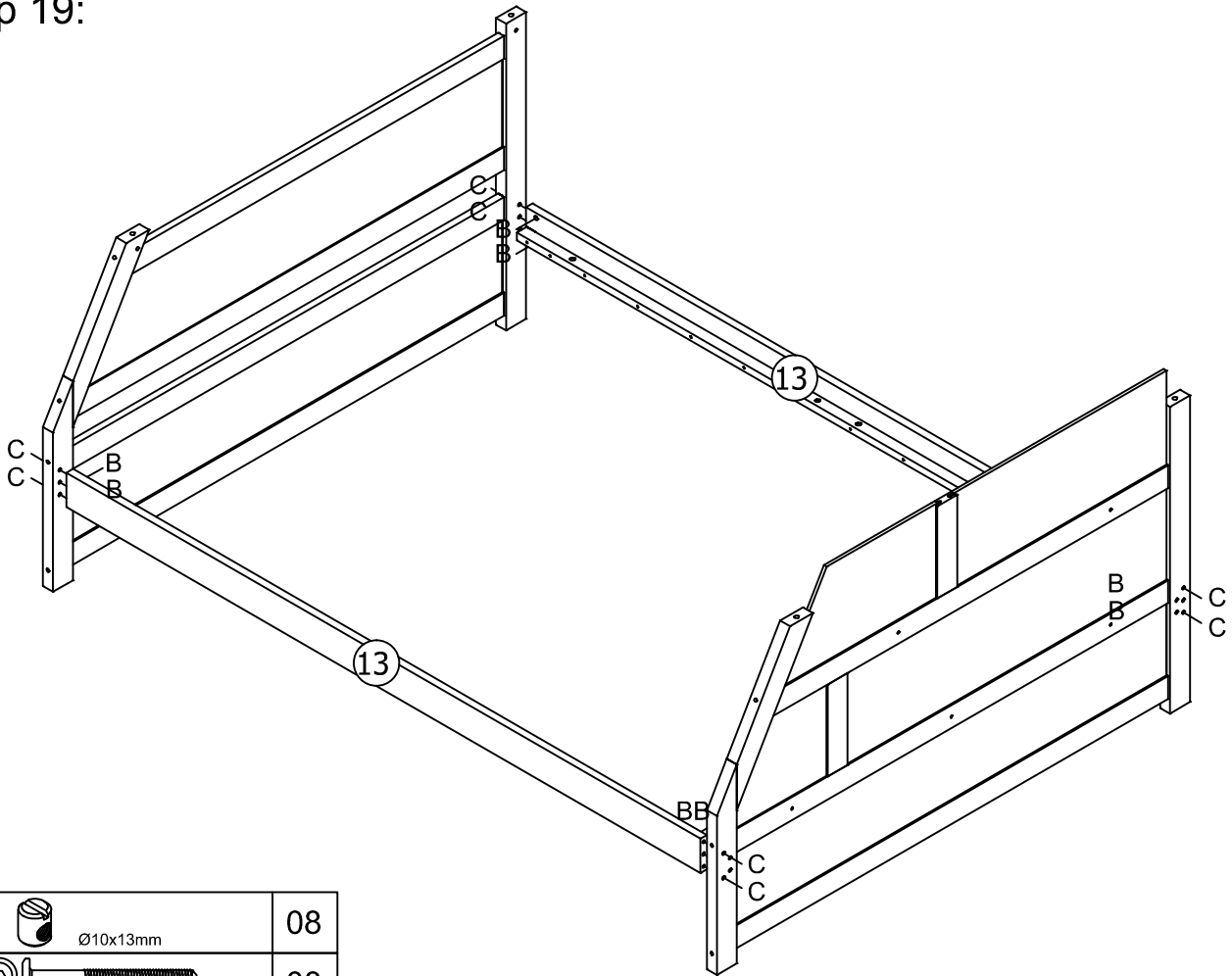
D	 Ø6x100mm	08
V	 40x20mm	02



Step 18:



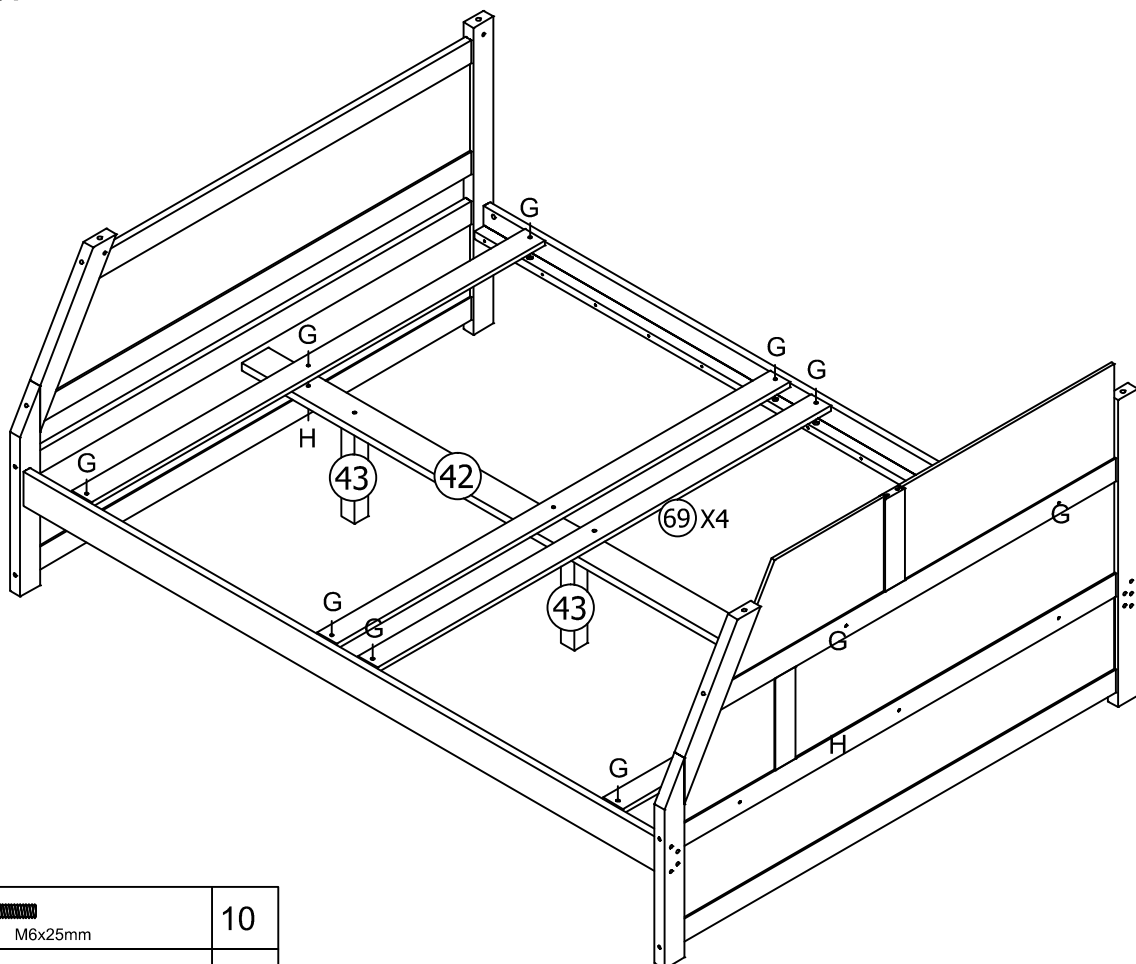
F	 Ø7x60mm	03
---	---	----



Step 19:



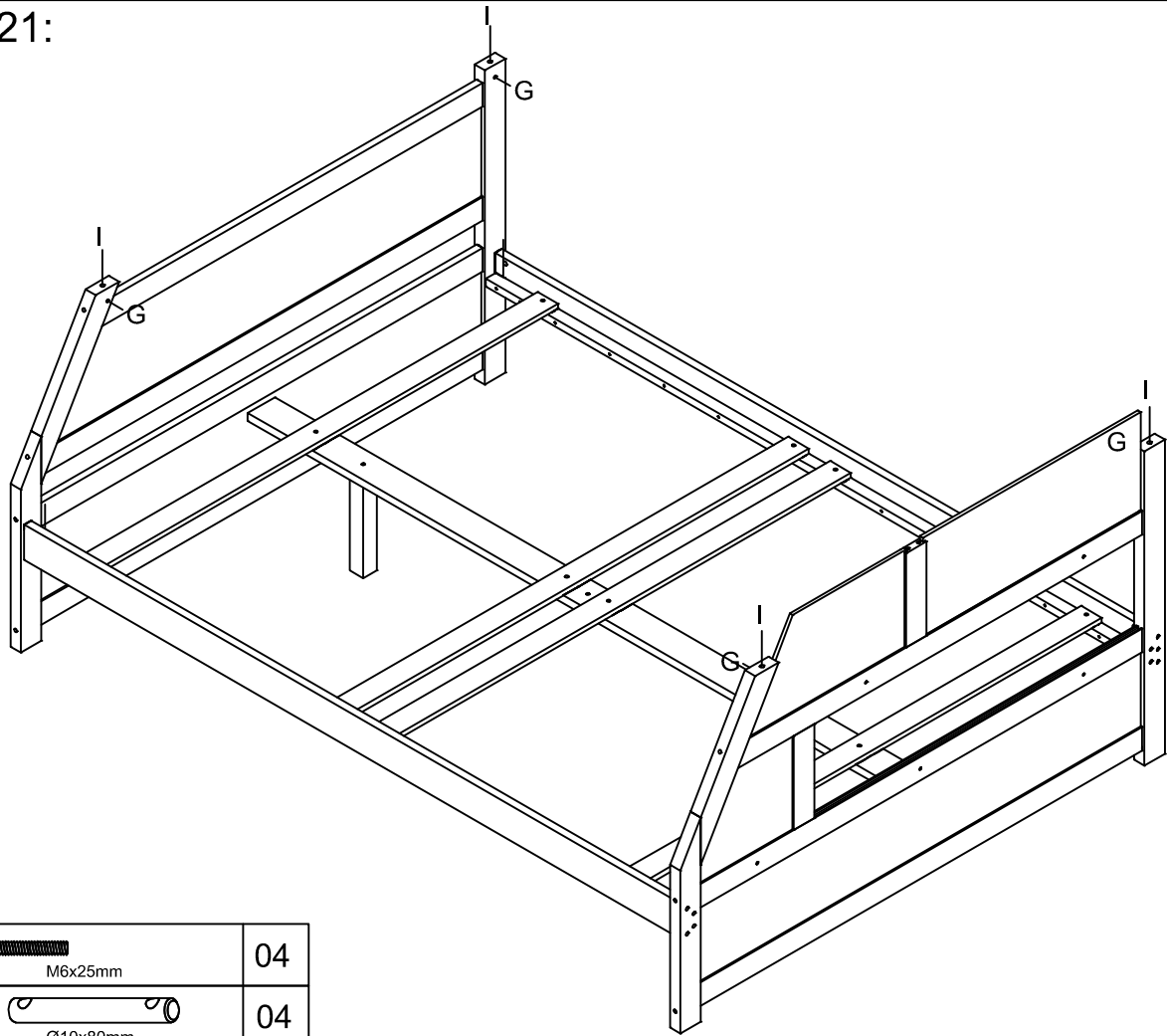
B	 Ø10x13mm	08
C	 M6x70mm	08


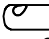
Step 20:



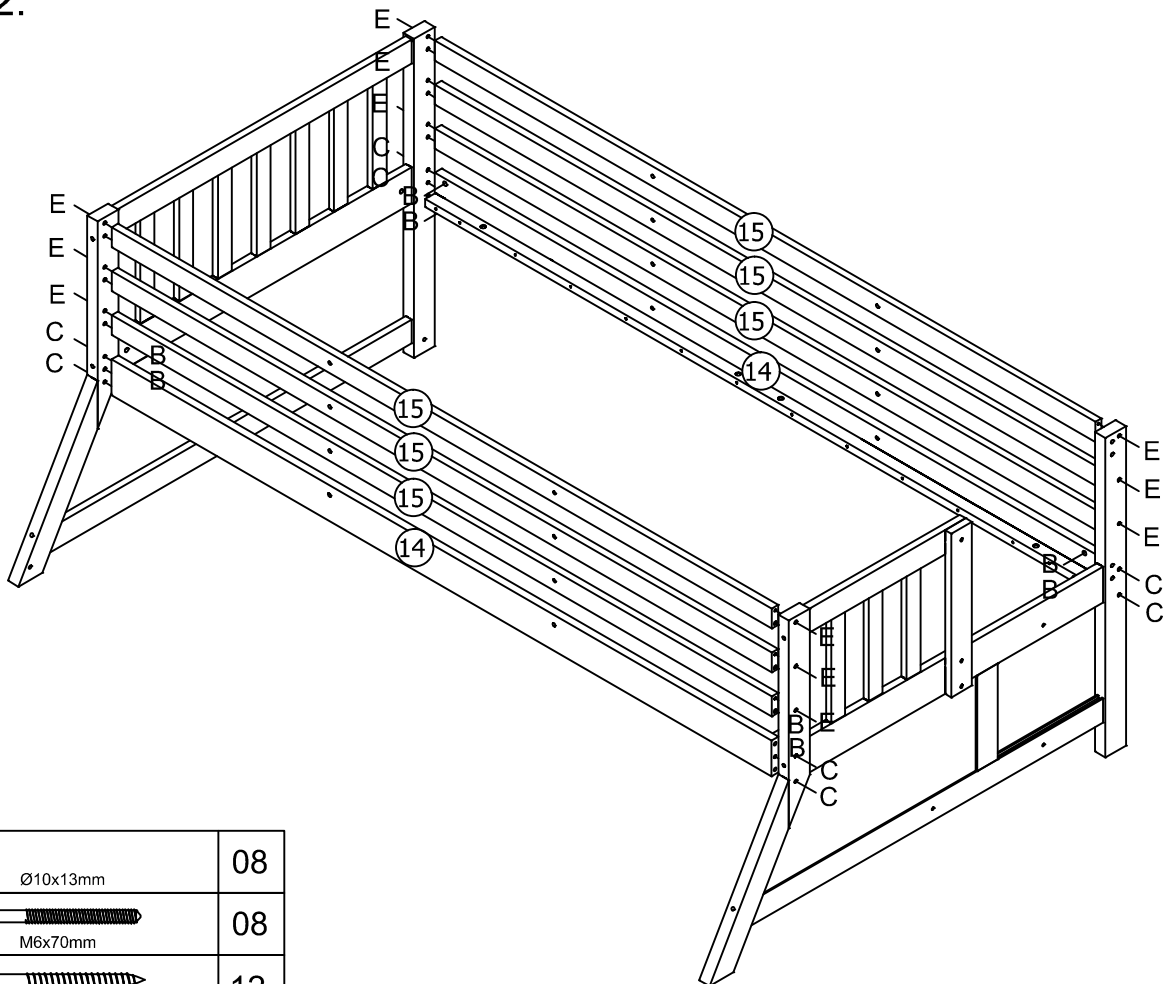
G	 M6x25mm	10
H	 M8x20mm	02




Step 21:



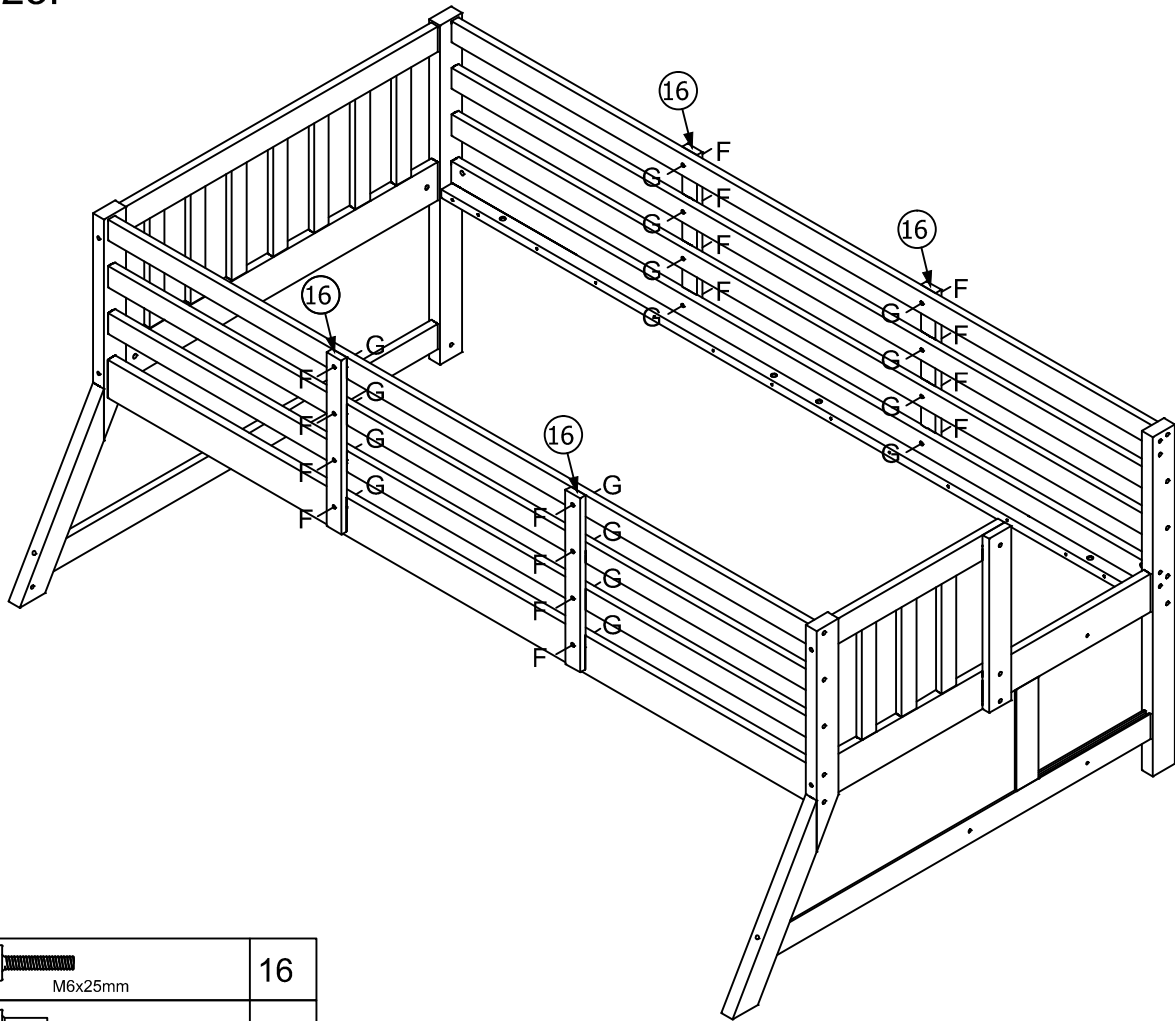
G		M6x25mm	04
I		Ø10x80mm	04

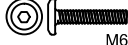
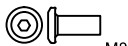
Step 22:



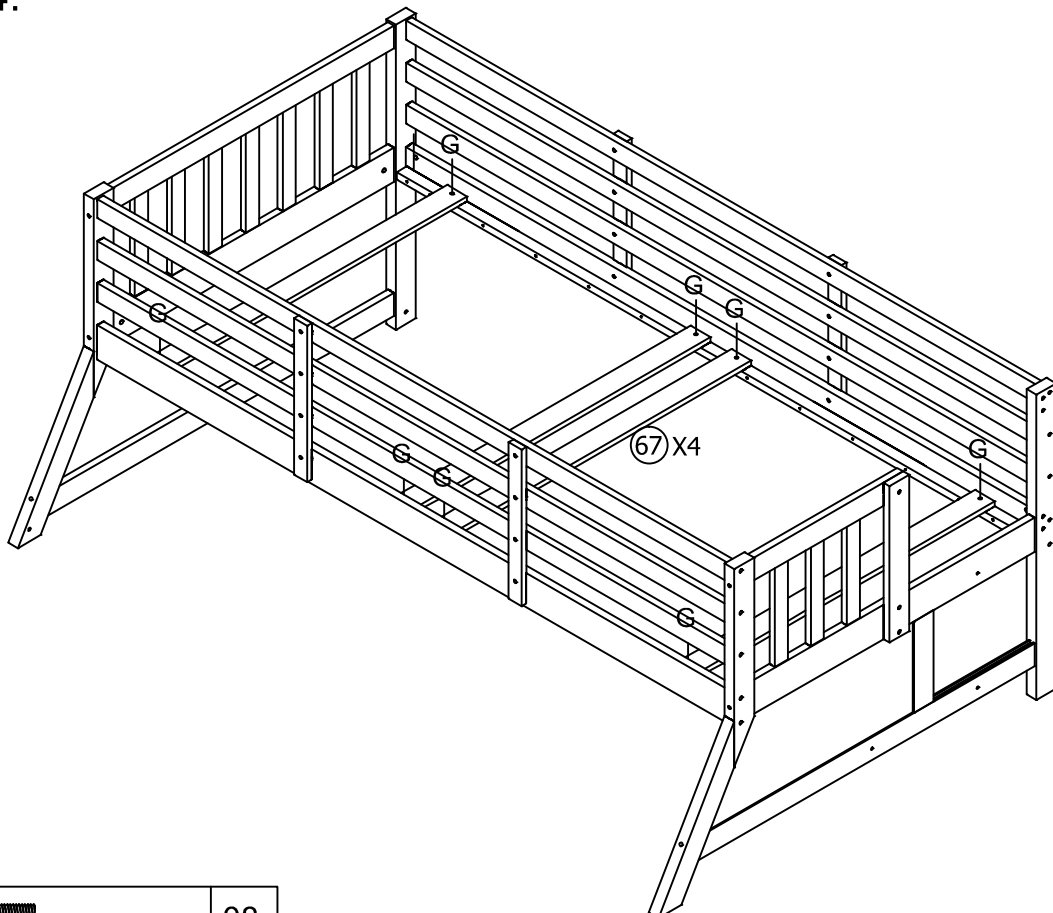
B		Ø10x13mm	08
C		M6x70mm	08
E		Ø6x70mm	12

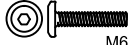
Step 23:



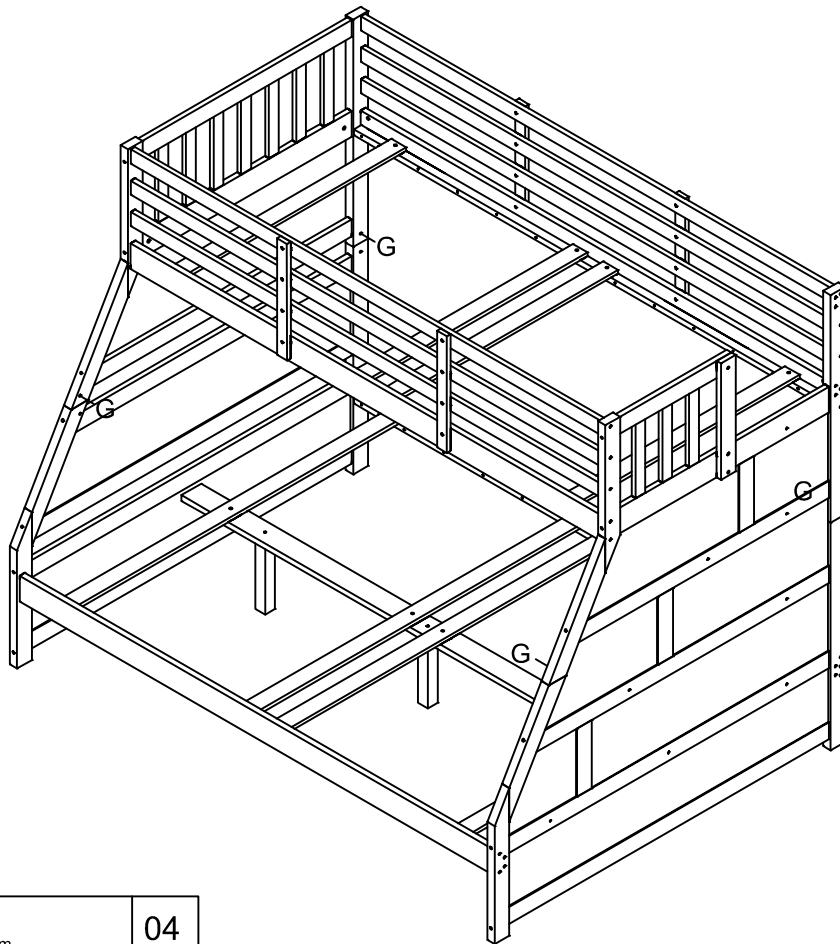
G		M6x25mm	16
H		M8x20mm	16


Step 24:



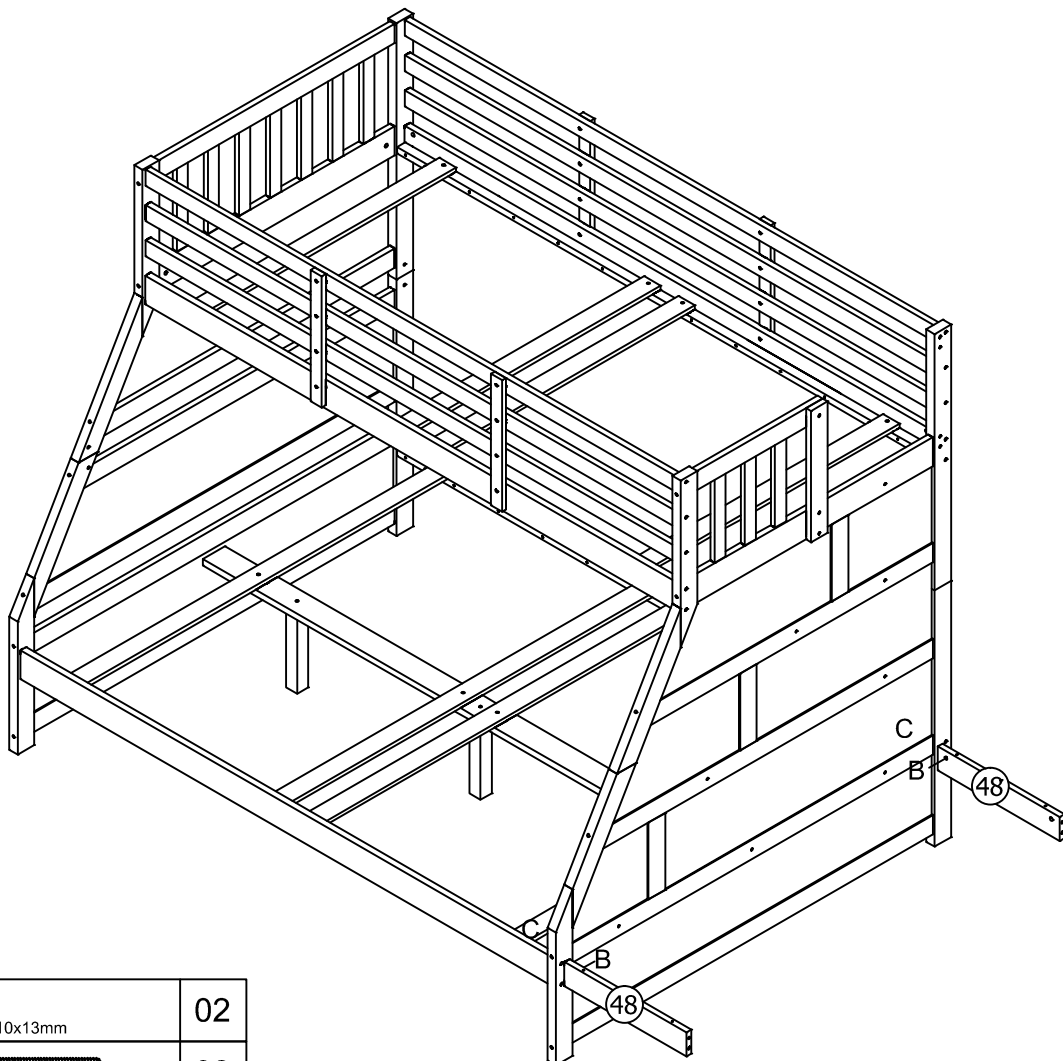
G		M6x25mm	08
---	---	---------	----


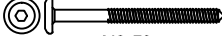
Step 25:



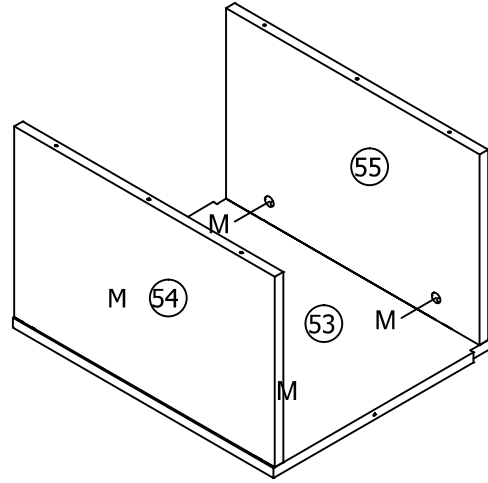
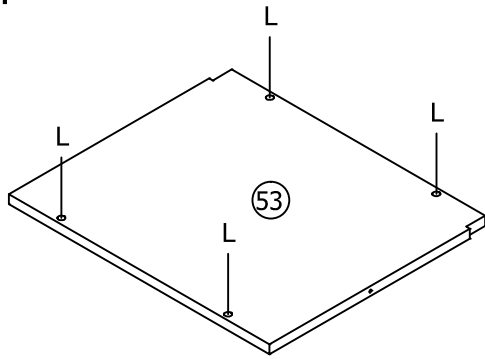
G	 M6x25mm	04
---	---	----



Step 26:



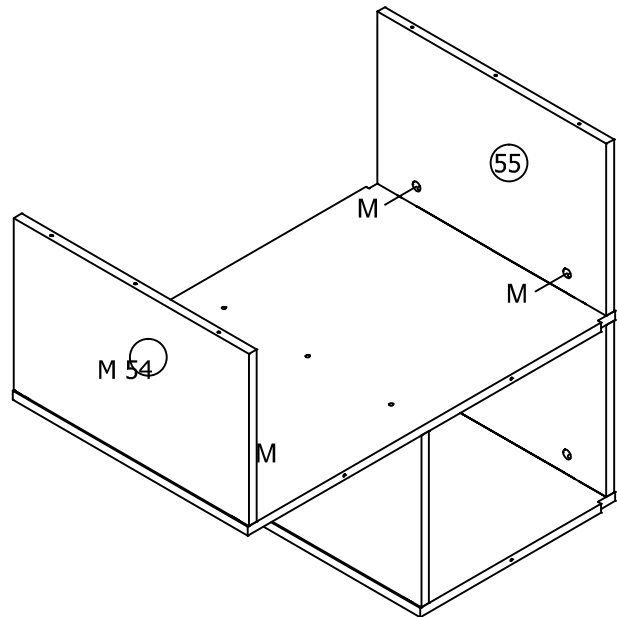
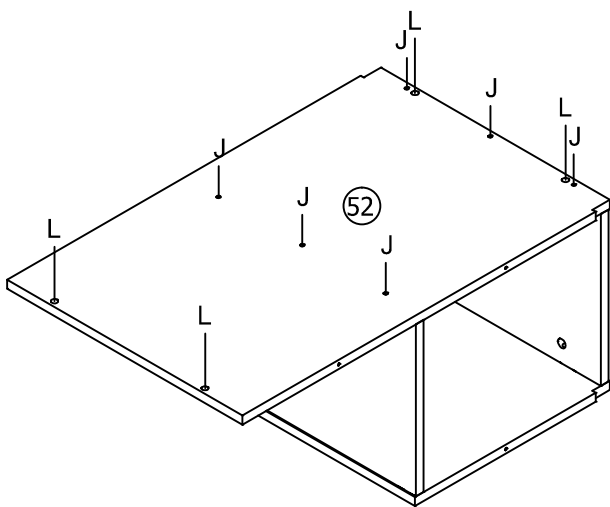
B	 Ø10x13mm	02
C	 M6x70mm	02



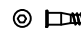
Step 27:



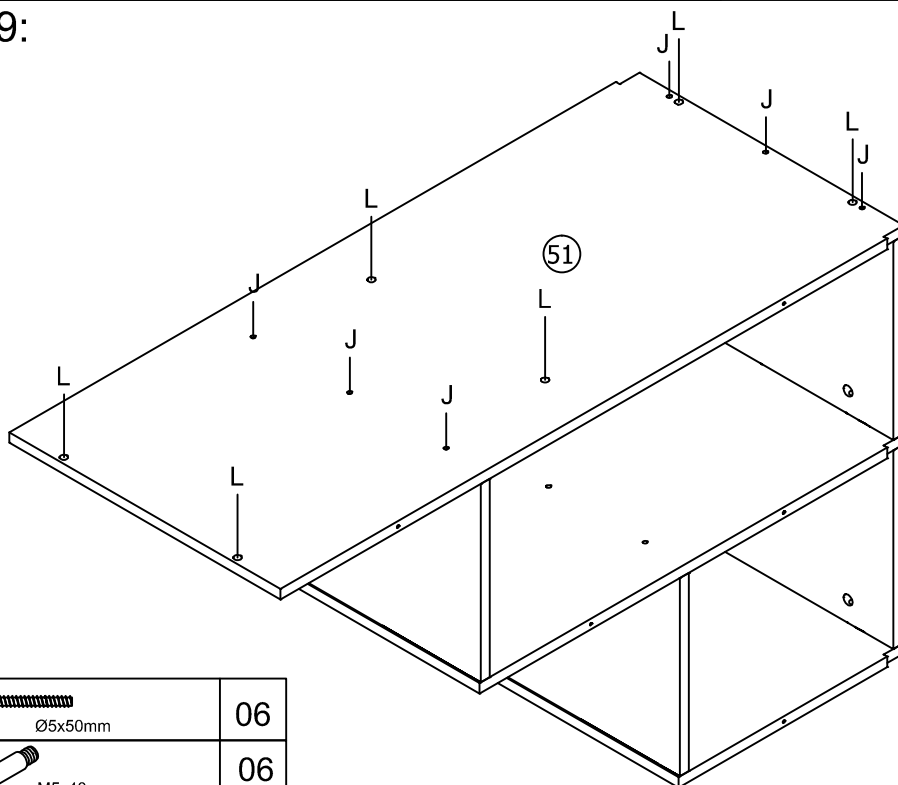
L	 M5x40mm	04
M	 Ø15x11mm	04

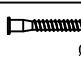

Step 28:



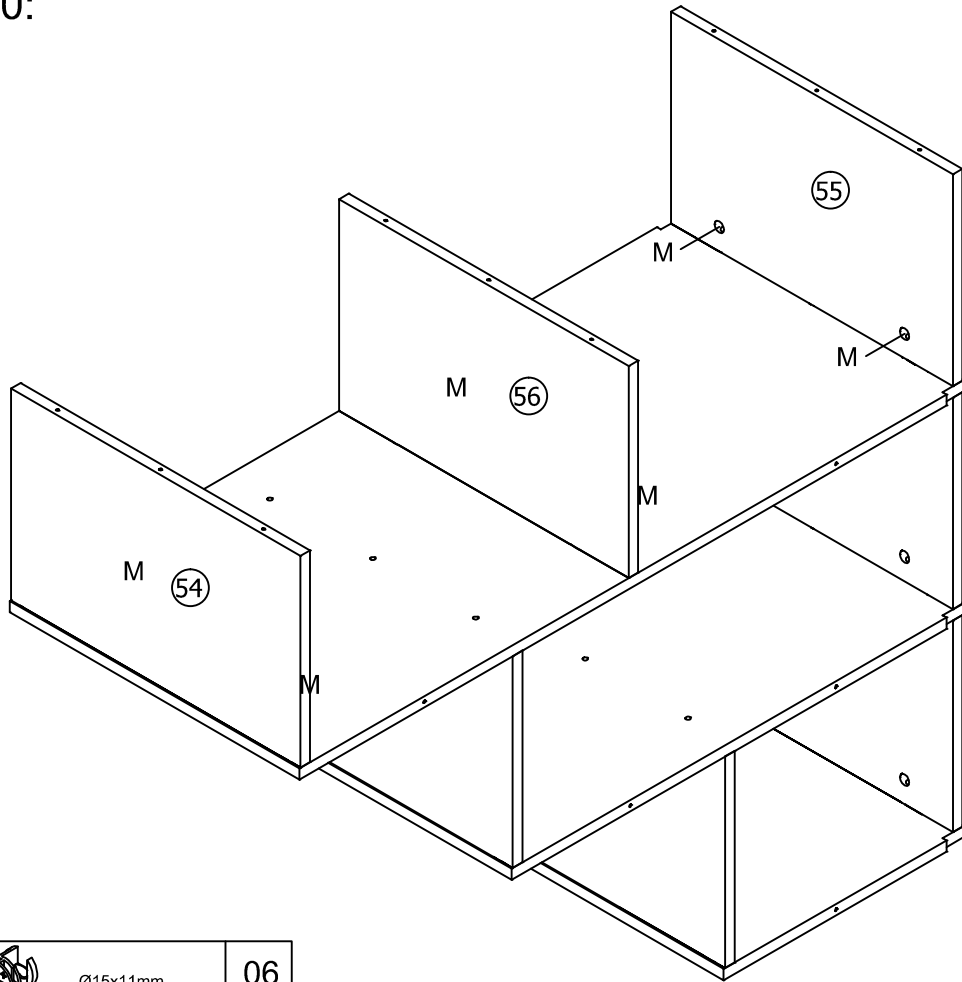
L	 M5x40mm	04		
M	 Ø15x11mm	04	J	 Ø5x50mm
				06


Step 29:



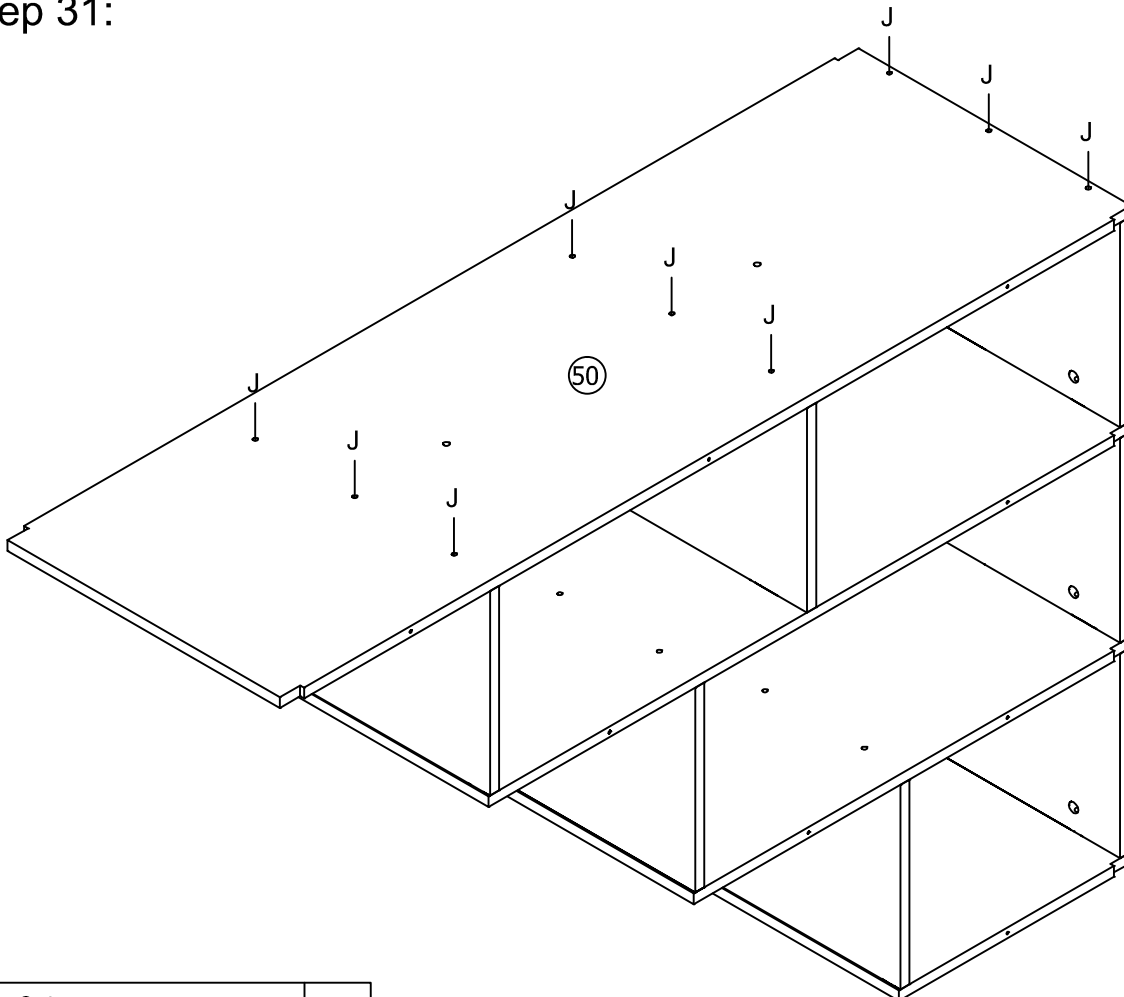
J	 Ø5x50mm	06
L	 M5x40mm	06


Step 30:



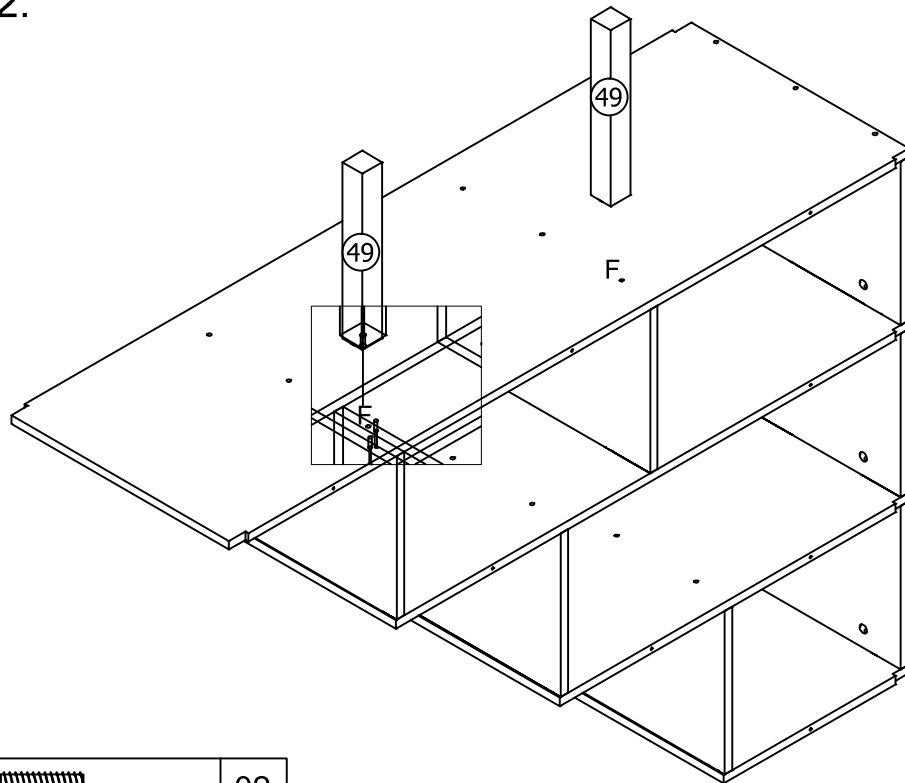
M	 Ø15x11mm	06
---	--	----

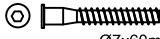
Step 31:



J	 Ø5x50mm	09
---	---	----

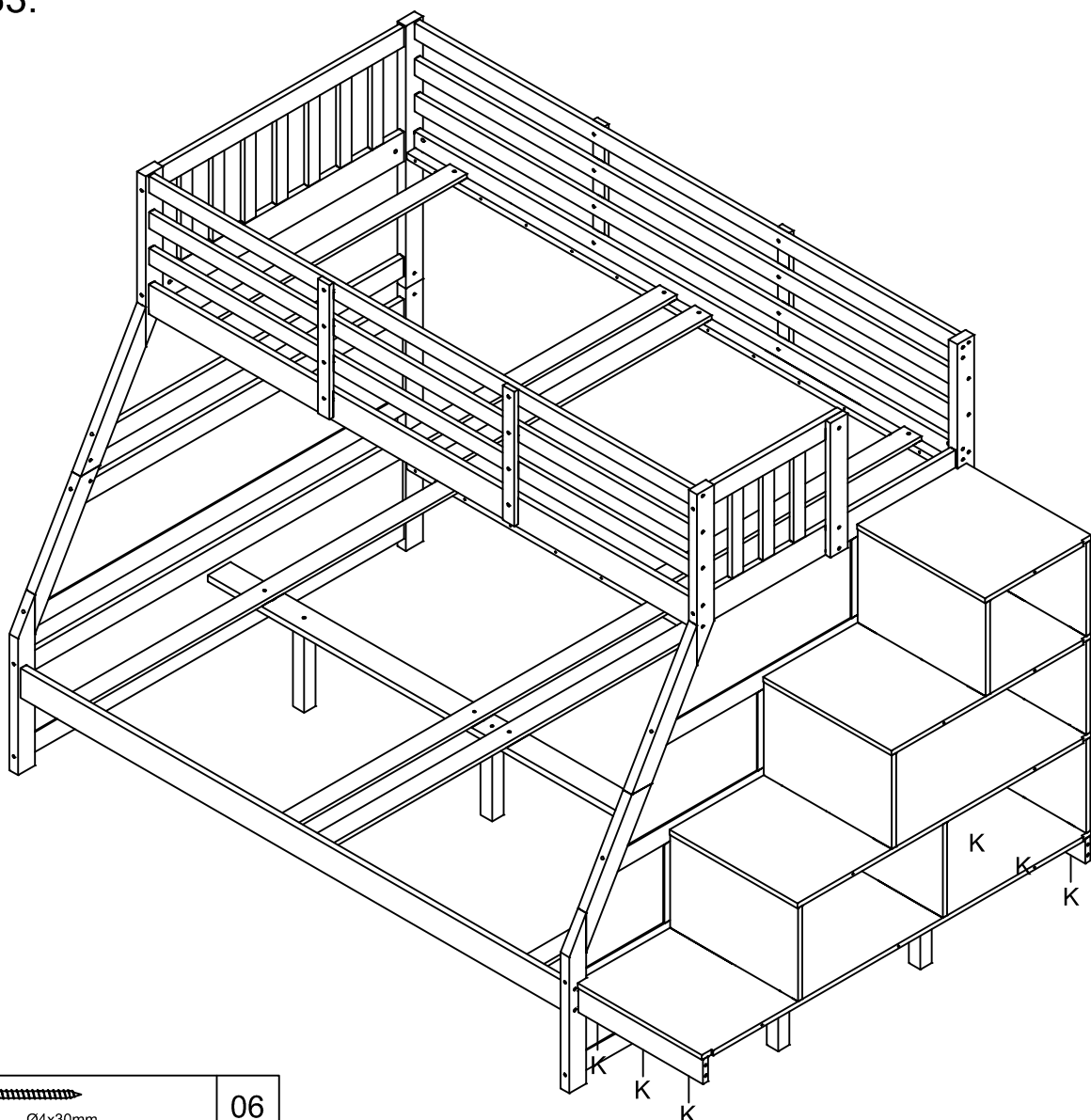
Step 32:

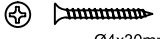


F  Ø7x60mm

02

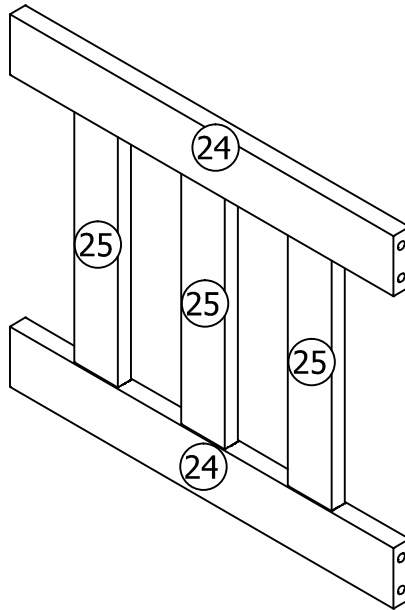
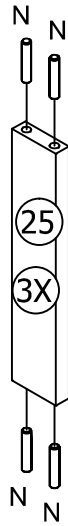
Step 33:




K  Ø4x30mm

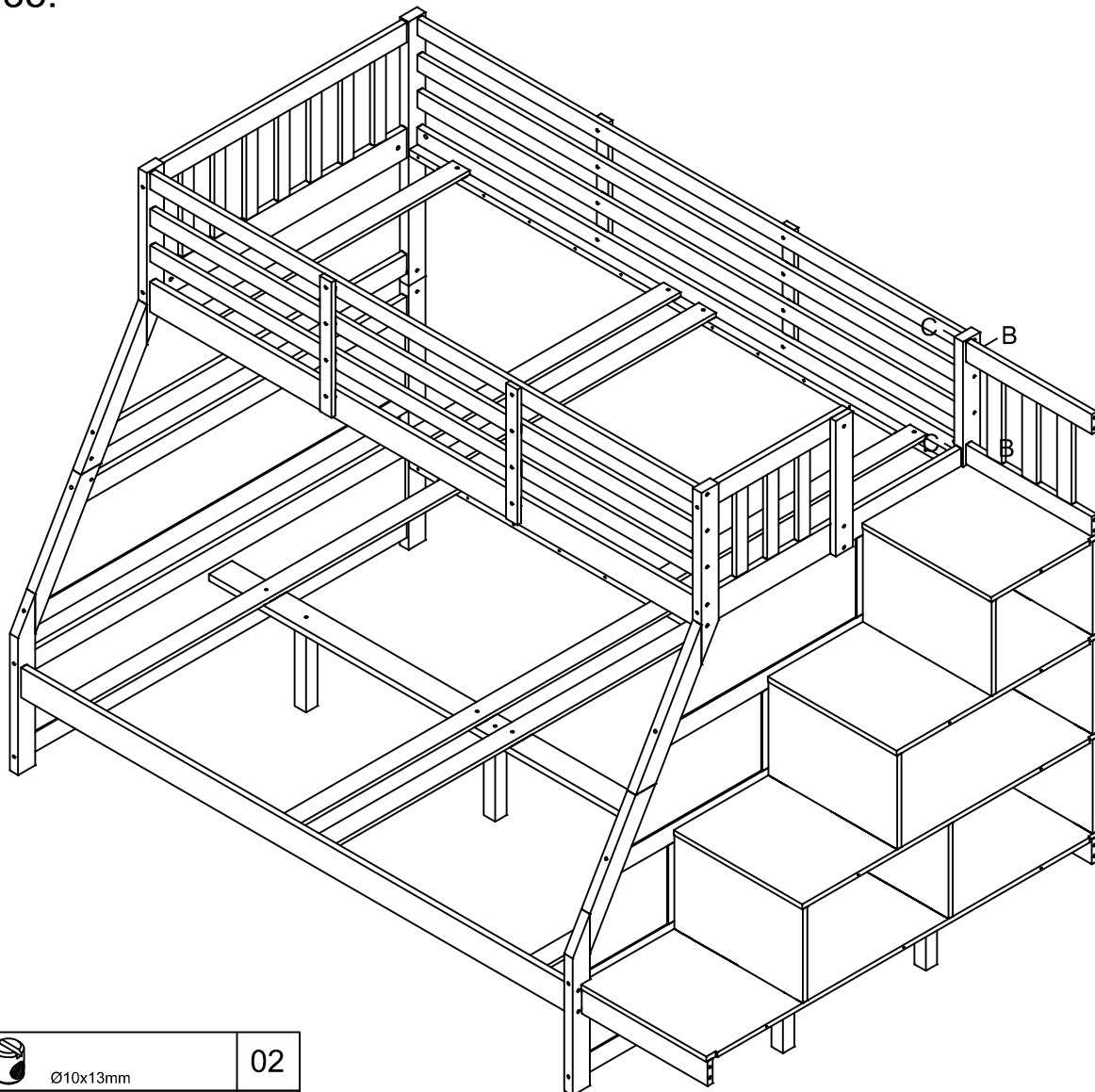
06



Step 34:



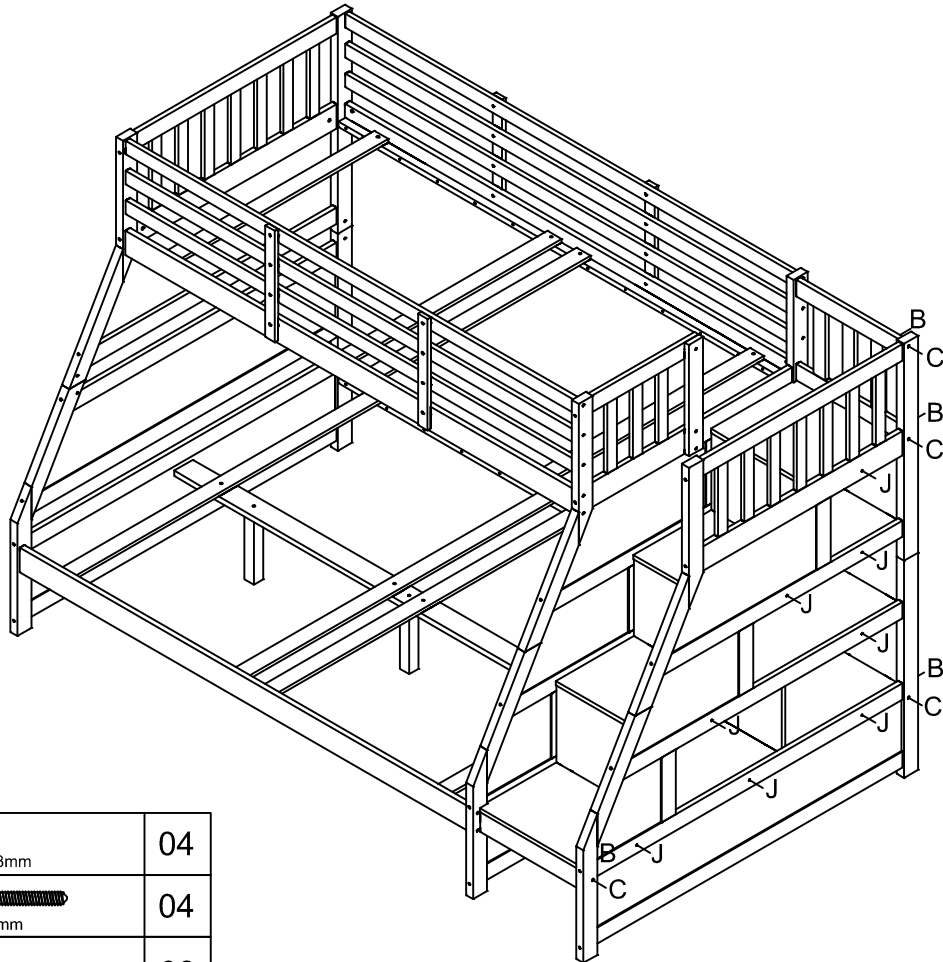
N	 Ø8x30mm	12
---	---	----


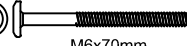

Step 35:



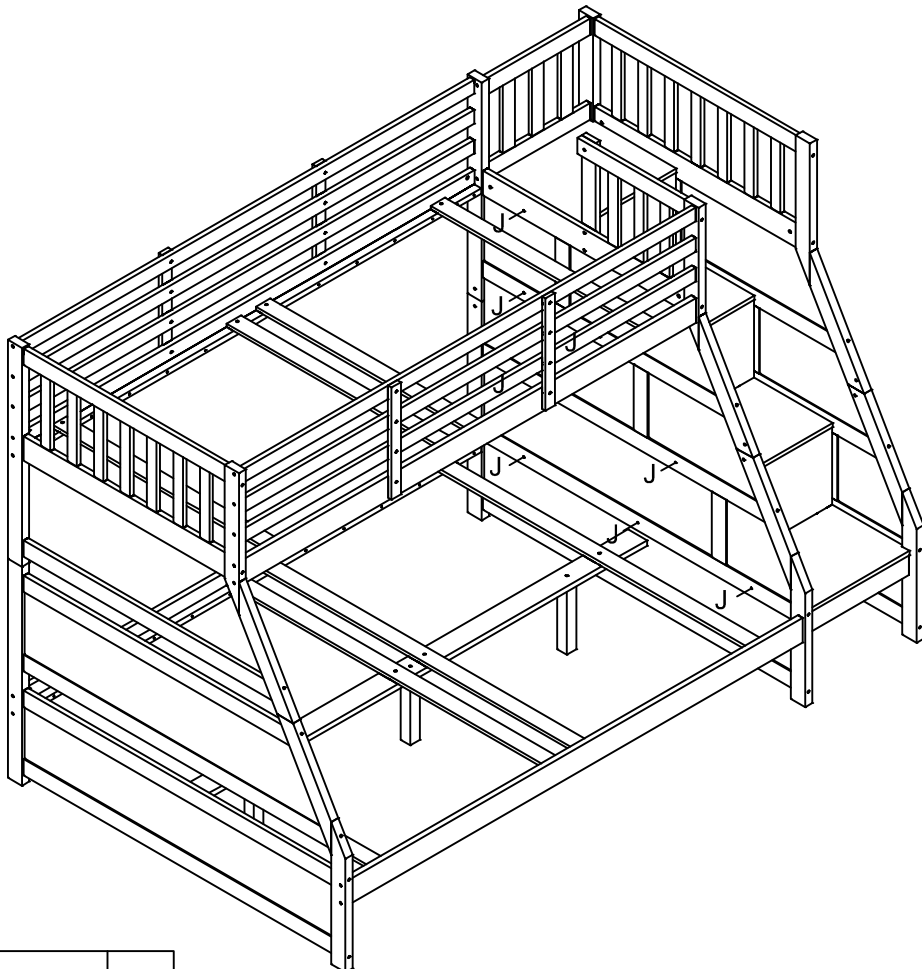
B	 Ø10x13mm	02
C	 M6x70mm	02


Step 36:



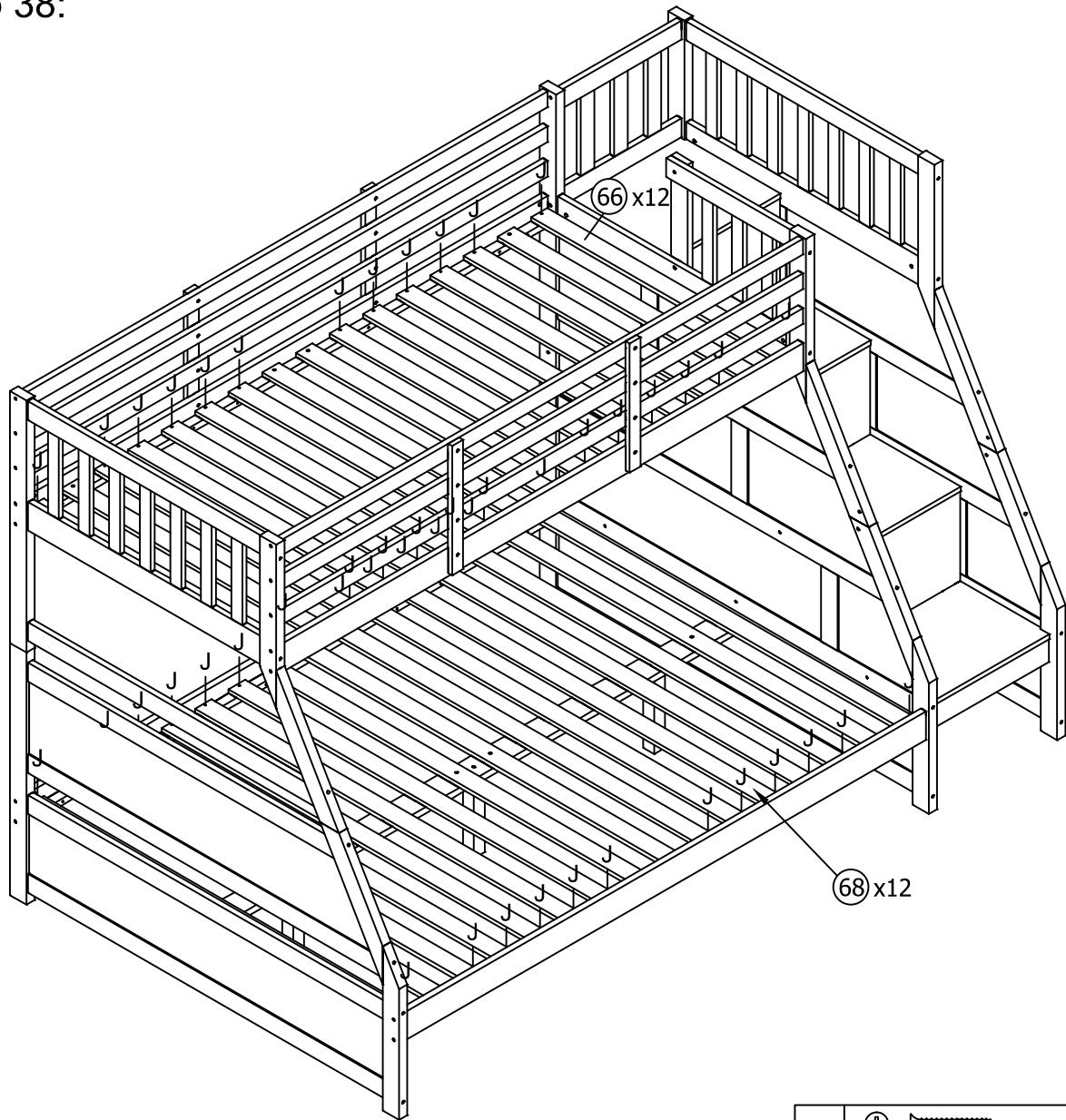
B	 Ø10x13mm	04
C	 M6x70mm	04
J	 Ø5x50mm	08


Step 37:



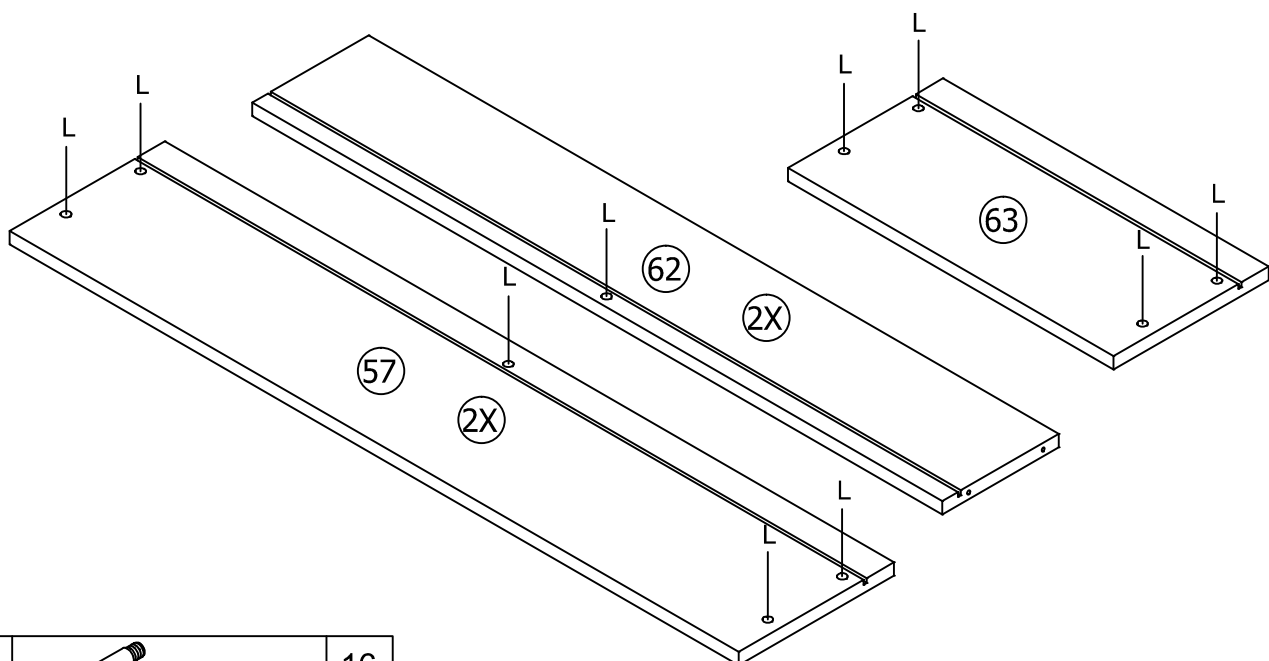
J	 Ø5x50mm	08
---	---	----

Step 38:



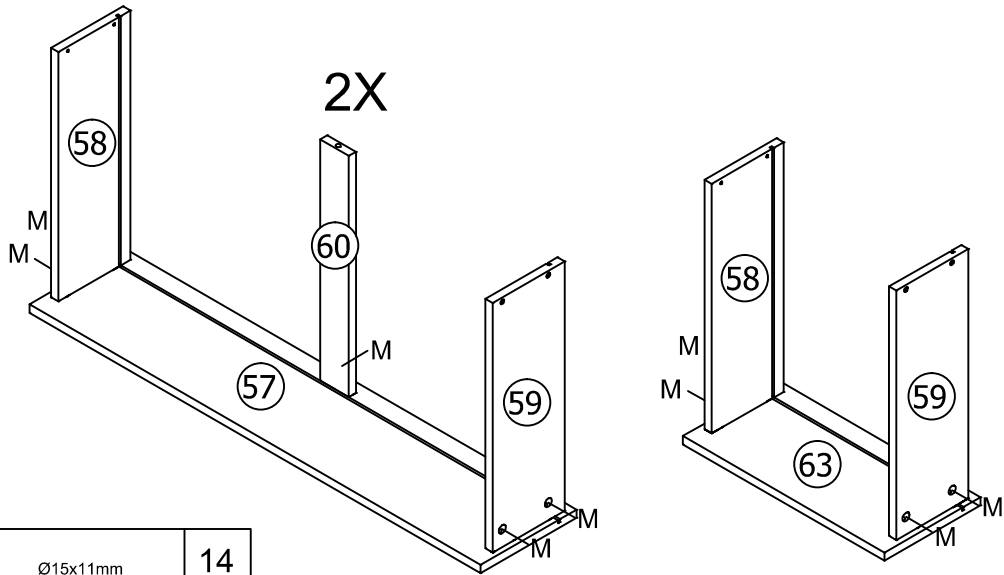
K	 Ø4x30mm	48
---	--	----


Step 39:



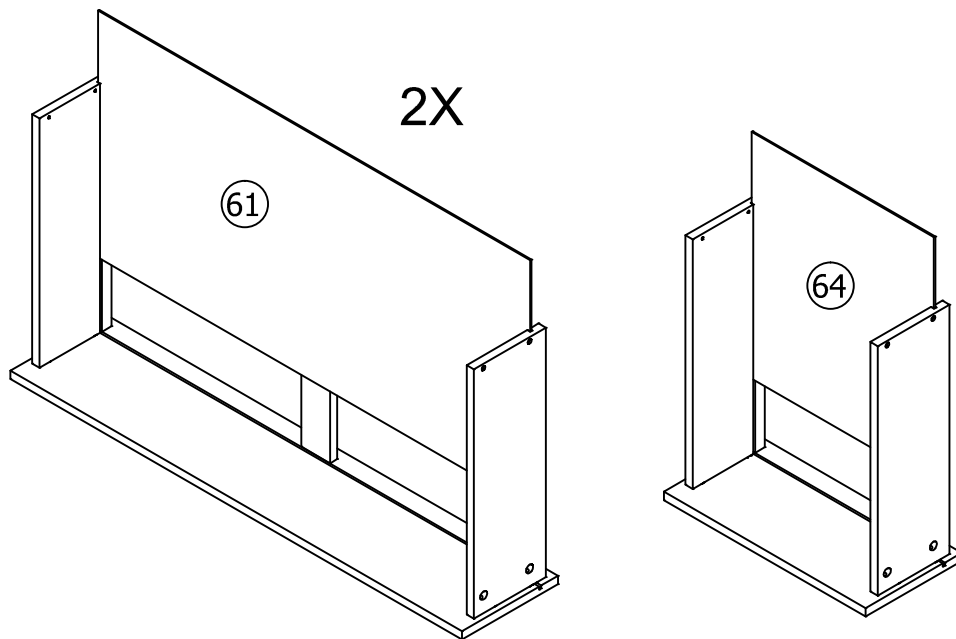
L	 M5x40mm	16
---	--	----

Step 40:

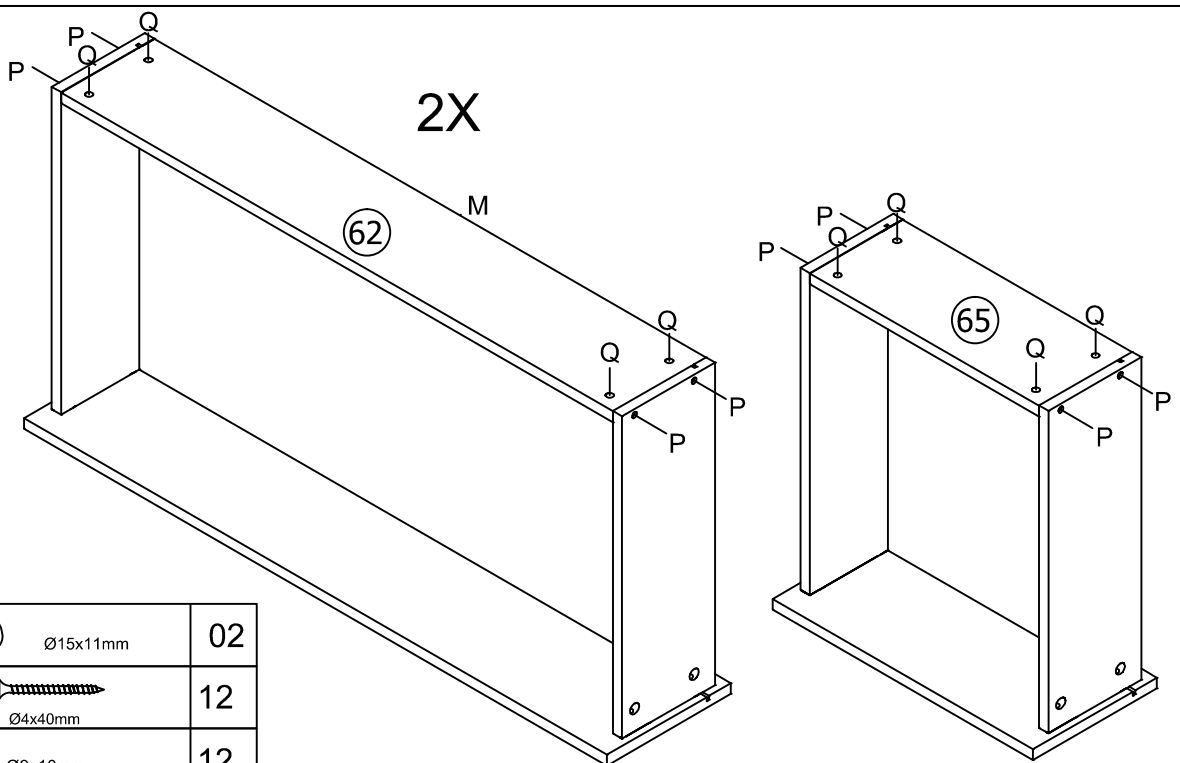





M	 Ø15x11mm	14
---	--	----

Step 41:

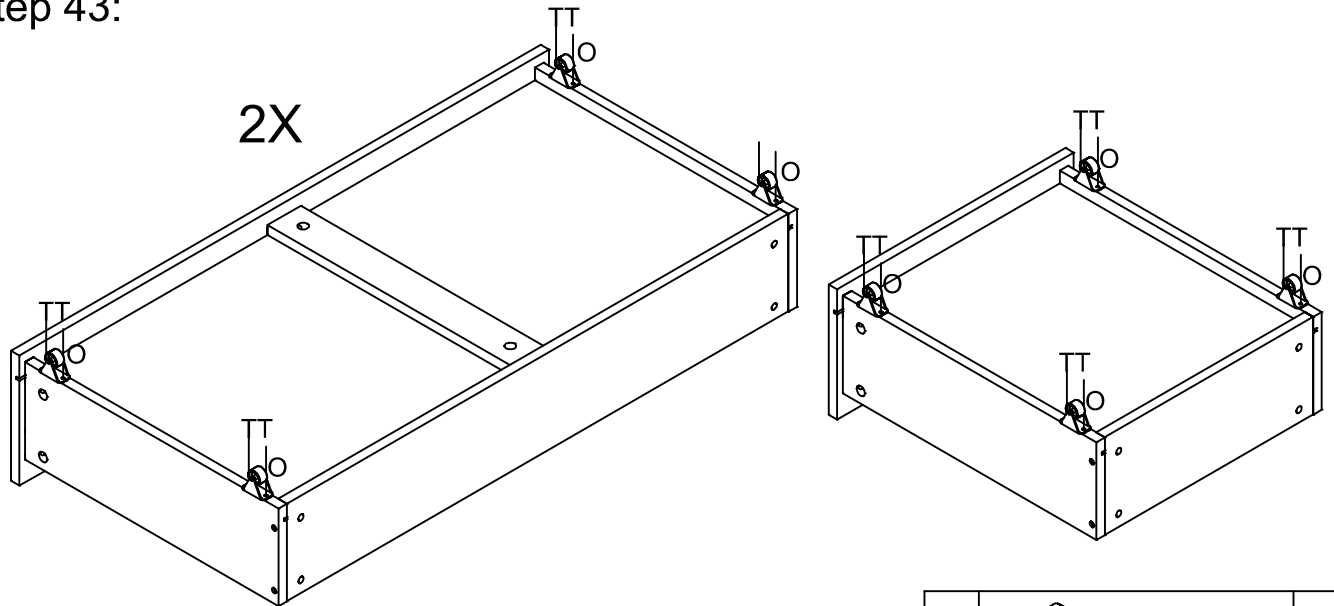




Step 42:



M	 Ø15x11mm	02
P	 Ø4x40mm	12
Q	 Ø9x10mm	12

Step 43:



O	 H=35mm	12
T	 Ø3x16mm	24

Step 44:

