



## PURE BLISS BABY COT 140X70



**IMPORTANT:** Please read these instructions carefully before using this product and keep for future reference.

**BABYFAIR LTD**

Savile business centre, Mill street east, Dewsbury, WF12 9AH

[www.baby-fair.co.uk](http://www.baby-fair.co.uk)

Email: [support@baby-fair.co.uk](mailto:support@baby-fair.co.uk)

## Warnings & Instructions For Safe Use & Maintenance

**WARNING:** Be aware of the risk of open fire and other sources of strong heat, such as electric bar fires, gas fires etc, in the vicinity of the cot/bed.

**WARNING:** Do not use the product if any part is broken, damaged, torn or missing. Approved replacement parts can be obtained from [baby-fair.co.uk](http://baby-fair.co.uk) phone - 0330 175 7526

**WARNING:** Do not leave anything in the cot/bed, or place it close to another product which provides a foothold or presents a danger of suffocation or strangulation. For example strings, blind/curtain cords etc.

**WARNING:** Children are likely to play, bounce, jump and climb on beds, therefore the child's bed should not be placed too close to other furniture or windows, and should be placed either tight to any wall or have a gap of 300mm between the wall and the side of the bed.

**WARNING:** Do not place this child's bed near heat sources, windows and other furniture.

The lowest position of the mattress base is the safest, and should be used as soon as the baby is old enough to sit up. To prevent injury from falls, when the child is able to climb out of the cot, the cot shall no longer be used for that child.

Thickness of the mattress chosen must not reduce the internal depth (from mattress surface to top of the side) to less than 500mm with the base in its lower position or 200mm with the base in its higher position. The leg of the cot has a mark indicating this height.

If you leave the child unattended in the cot, always make sure that the dropside is in the highest position.

All assembly fittings should be tightened properly, checked regularly and re-tightened as necessary.

Screws and bolts should not be loose because a child can squeeze parts of the body, or clothing e.g string, necklaces, ribbons for babies dummies etc. could get caught. There would be a danger of strangulation.

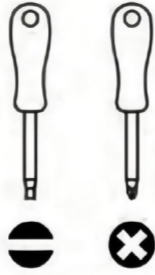
The cot/bed must be used on a level and stable surface, away from electric sockets. Once assembled do not dismantle. Never move the cot/ bed with a child in it.

Excessive chewing may damage the wood and cause splintering. If any part is damaged stop using until the correct replacement part has been obtained from [baby-fair.co.uk](http://baby-fair.co.uk) , phone 0330 175 7526

Your cot/bed can be cleaned by wiping with a damp cloth and drying immediately with a soft clean cloth.

Do not use abrasives, bleach, alcohol or ammonia based household polishes.

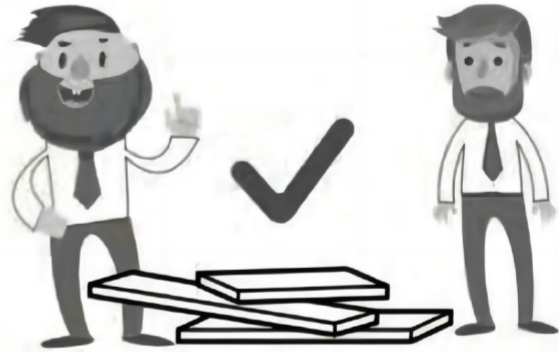
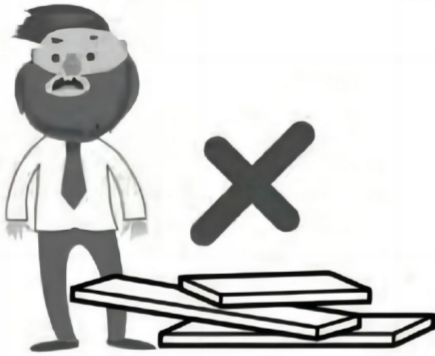
This product conforms to : EN716-1:2017+AC:2019 & EN716-2:2017



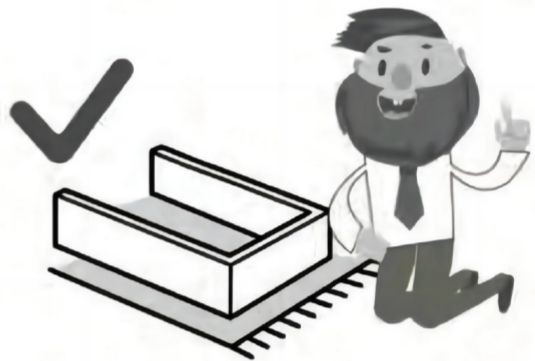
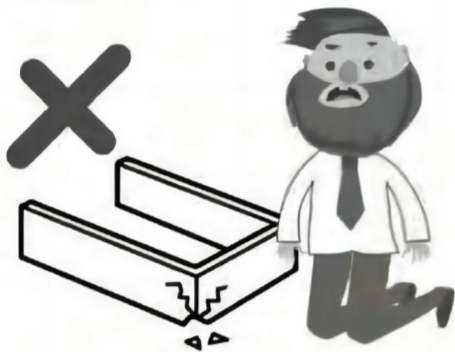
(Not metal)

These tools are not necessary, but may help to assemble certain parts of the product.

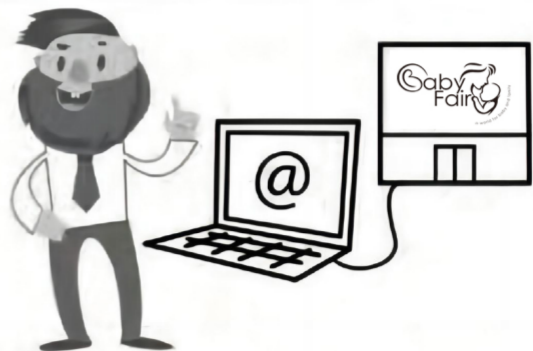
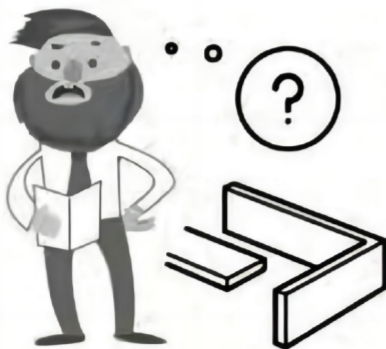
Do NOT use any power tools as this may damage the frame.



This product or some parts of this product will be heavy. Please use an assistant when lifting.



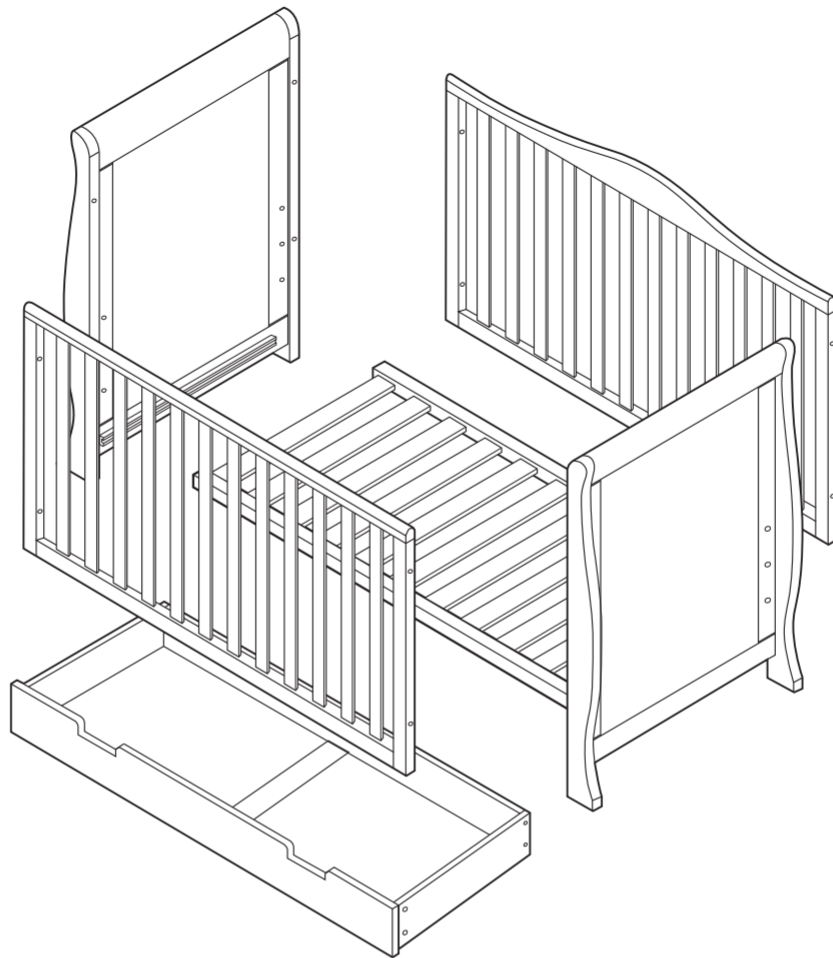
Never drag or push the pieces across a hard or stone floor as this will cause damage to the joints. Use a carpet or a rug for extra care.



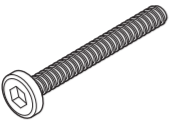





If you have problems assembling or have damaged or missing pieces, please contact us by visiting:

[www.baby-fair.co.uk](http://www.baby-fair.co.uk)

## PURE BLISS BABY COT-CHECKLIST



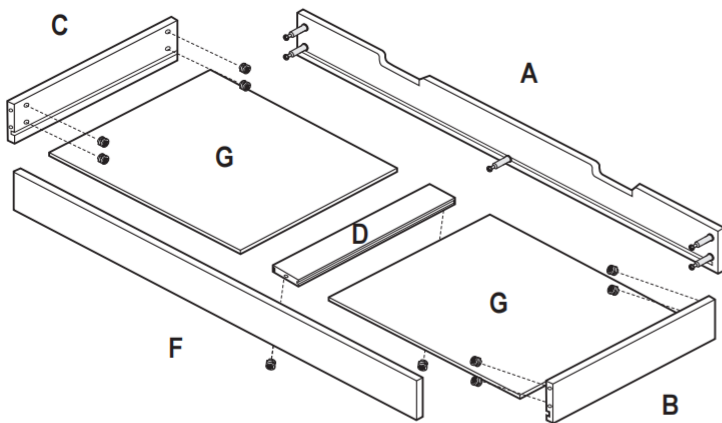
Item	Name	Qty
1	Left end	1 PCS
2	Right end	1 PCS
3	Fixed side	1 PCS
4	Back side	1 PCS
5	Base	1 PCS
6	Drawer	1 PCS

Bolt M6X70mm (4pcs)	Filler Nut M6 (4pcs)	Bolt M6X55mm (8PCS)	Allen Key (1pc)	Metal Pin (10pcs)	Metal Cam (10pcs)
 <b>a</b>	 <b>b</b>	 <b>c</b>	 <b>d</b>	 <b>e</b>	 <b>f</b>



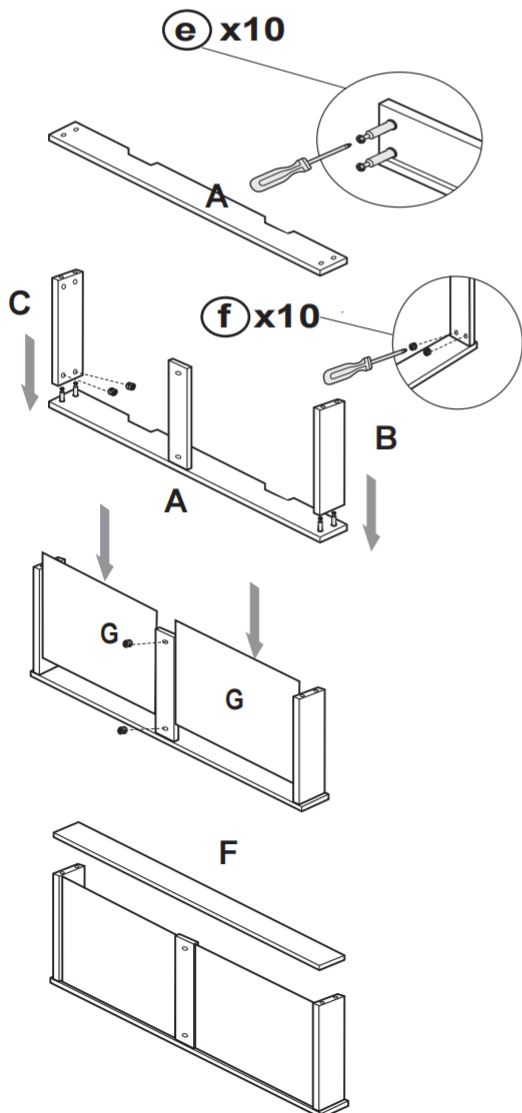
# PURE BLISS BABY COT-PARTS CHECKLIST

## Drawer Parts List



Item	Name	Qty
A	Front panel	1 PC
B	Left panel	1 PC
C	Right Panel	1 PC
D	Connecting panel	1 PC
G	Bottom panel	2 PC
F	Black panel	1 PC

## Assembly Steps-Drawer Assembly



**Step1:** Insert 6PCS(e) Metal Pin to (A) front panel as diagram.

Tighten the Metal Pins by cross-head screwdriver.

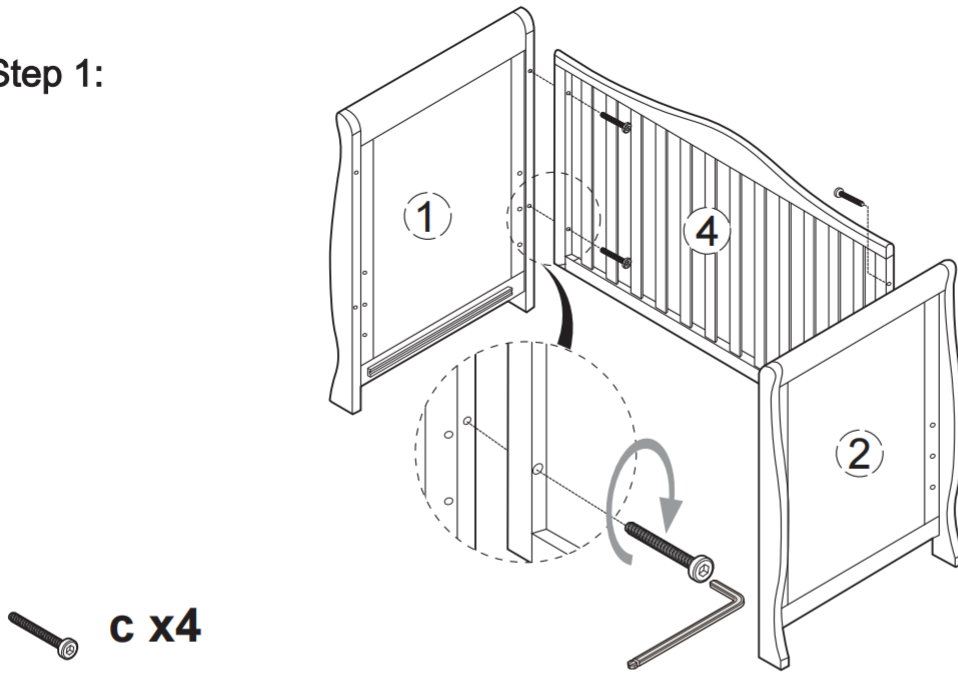
**Step2:** Connect (B) left panel, (C)Right panel, (D) Connection panel to (A) Front Panel by the metal Pins mentioned in Step 1. and by 5pcs (F) Metal Cam to match the metal pins as diagram and tighten them by Cross-head screwdriver.

**Step3:** Side 2pcs (G)Bottom panel to the grooves of side panels.

**Step4:** Insert 5pcs(e)Metal pins to (F) Back panel, and Connect (F) back panel to side panels, and using 5pcs (f)metal cam to match the (e)metal pins. Tighten all the metal pin and metal cam.

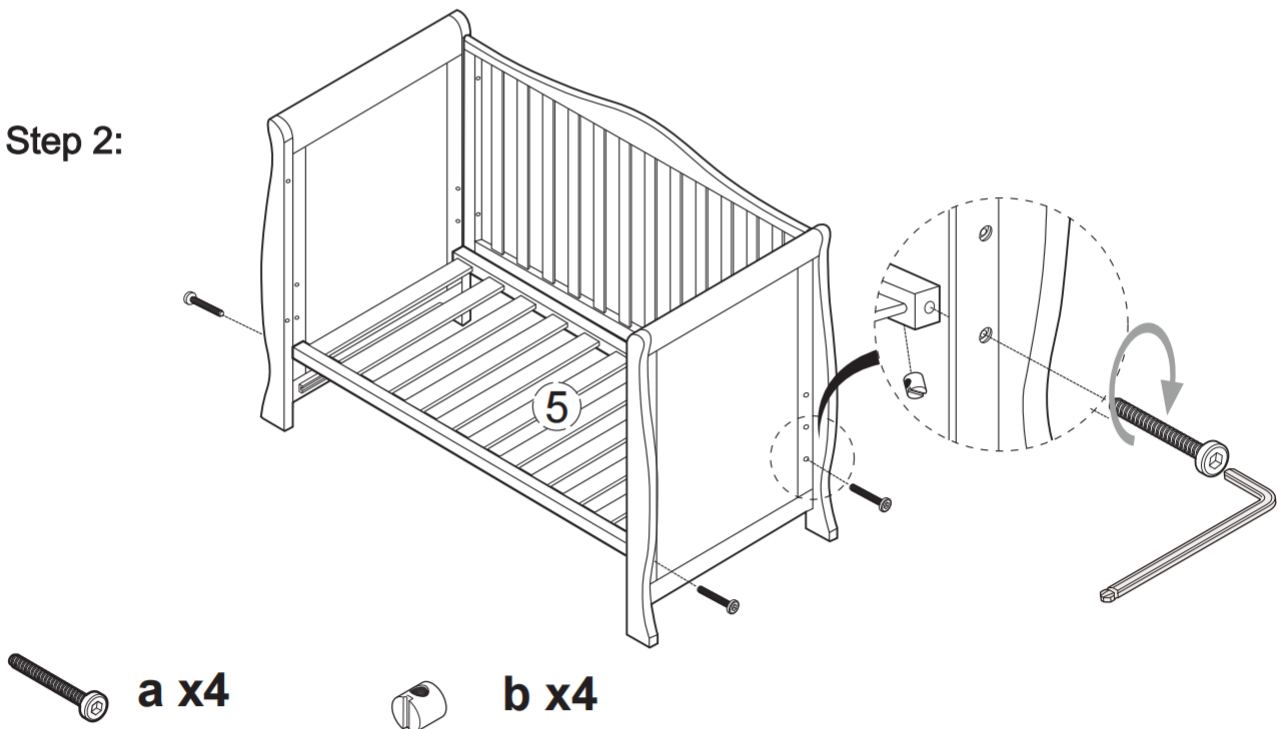
## Assembly Steps-Cot Assembly

Step 1:



Connect one fixed side(4) to left end (1) and right end (2) with 4PCS M6X55mm bolt (c) by Allen Key(d). Do not tighten the bolths at this stage.

Step 2:



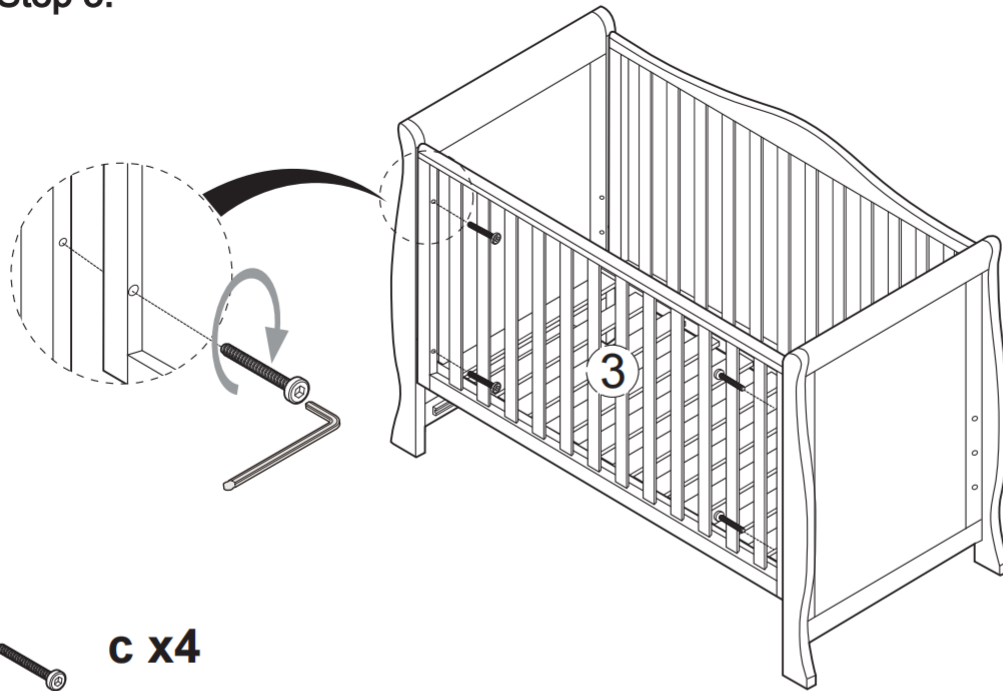
Connect base(5)to the left end (1) and right end(2) with 4PCS M6 X70mm bolt (a) by Allen Key (d).

Do not tighten these bolts at this tage but tighthen the bolts(c) mentioned in step1.

Important: These are 3 different mattress base poistions. Marke sure the base in one horizontal level when select the position.

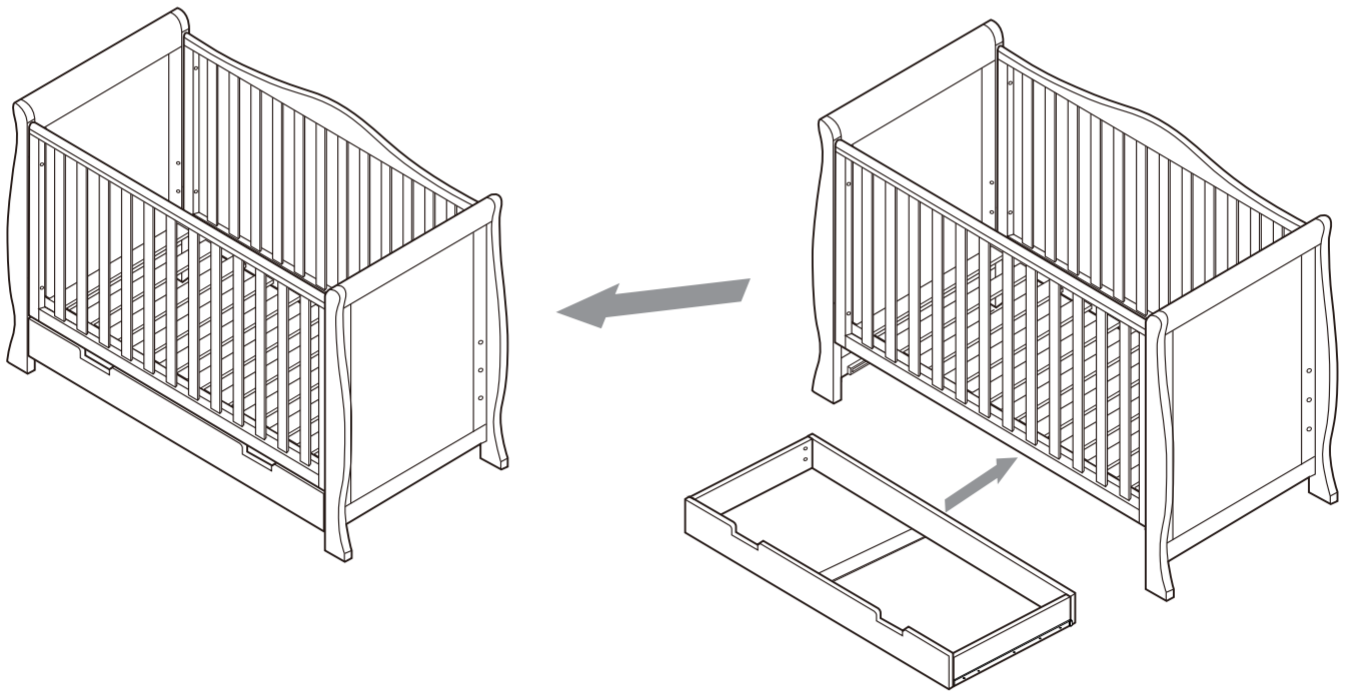
## Assembly Steps-Cot Assembly

### Step 3:



Connect the other fixed side (3) to left end(1) and right end (2) with 4PCS M6X55 bolt(c) by Allen Key(d) Tighten all the bolts.

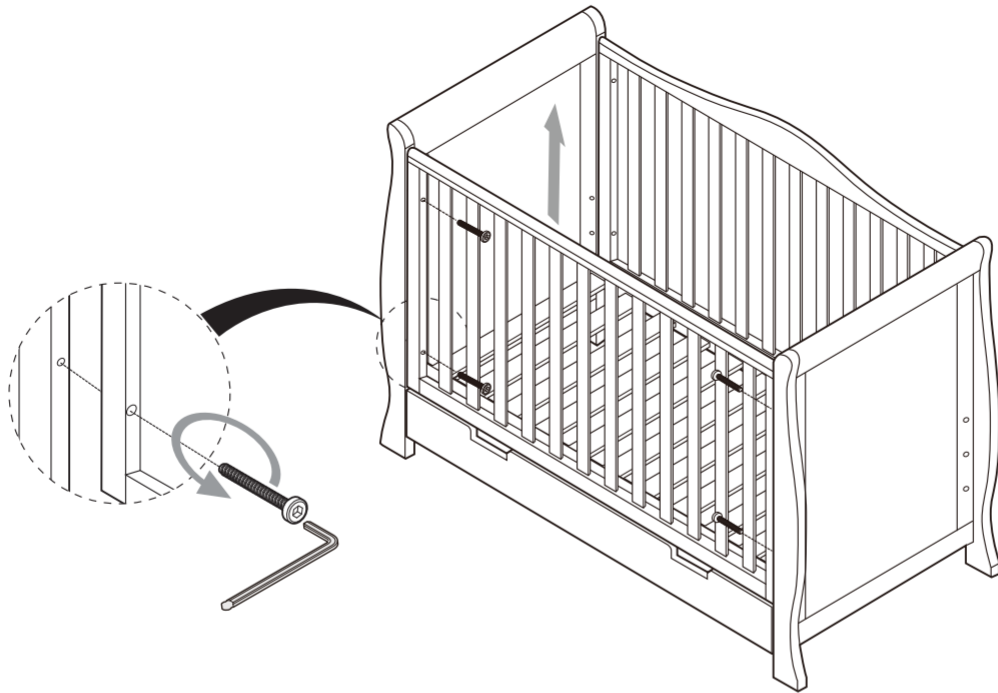
### Step 4:



Slide assembled drawer into the runner on the cot ends.

Make sure all the fittings are tight. Now the sleight cot is completely finished.

**To disassemble the cot: just follow assembly instructions in reverse order.**



Loose the four screws of 4PCS M6X55mm bolt(c) by Allen Key(d) as above photo and the sofa will be ready as below.

