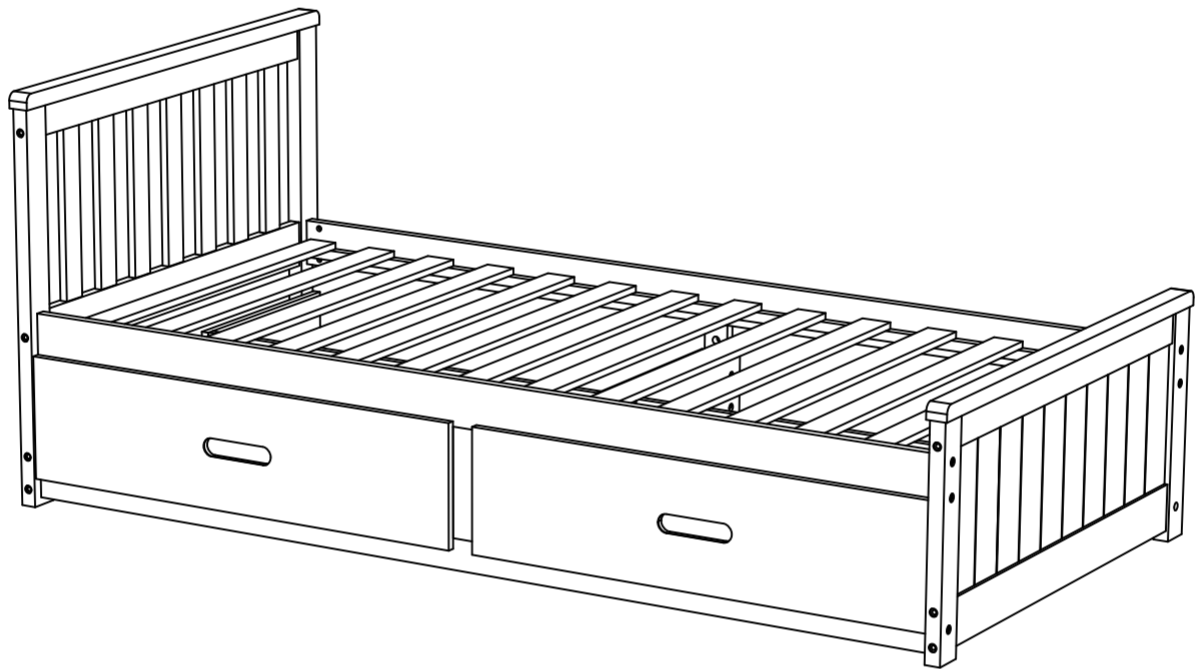




TIMELESS WHITE KIDS STORAGE DRAW SINGLE BED



IMPORTANT:Please read these instructions carefully before using this product and keep for future reference.

BABYFAIR LTD

Savile business centre, Mill street east, Dewsbury,WF12 9AH

www.baby-fair.co.uk

Email:support@baby-fair.co.uk

Warnings & Instructions For Safe Use & Maintenance

WARNING: Be aware of the risk of open fire and other sources of strong heat, such as electric bar fires, gas fires etc, in the vicinity of the cot/bed.

WARNING: Do not use the product if any part is broken, damaged, torn or missing. Approved replacement parts can be obtained from baby-fair.co.uk phone - 0330 175 7526

WARNING: Do not leave anything in the cot/bed, or place it close to another product which provides a foothold or presents a danger of suffocation or strangulation. For example strings, blind/curtain cords etc.

WARNING: Children are likely to play, bounce, jump and climb on beds, therefore the child's bed should not be placed too close to other furniture or windows, and should be placed either tight to any wall or have a gap of 300mm between the wall and the side of the bed.

WARNING: Do not place this child's bed near heat sources, windows and other furniture.

The lowest position of the mattress base is the safest, and should be used as soon as the baby is old enough to sit up. To prevent injury from falls, when the child is able to climb out of the cot, the cot shall no longer be used for that child.

Thickness of the mattress chosen must not reduce the internal depth (from mattress surface to top of the side) to less than 500mm with the base in its lower position or 200mm with the base in its higher position. The leg of the cot has a mark indicating this height.

If you leave the child unattended in the cot, always make sure that the dropside is in the highest position.

All assembly fittings should be tightened properly, checked regularly and re-tightened as necessary.

Screws and bolts should not be loose because a child can squeeze parts of the body, or clothing e.g string, necklaces, ribbons for babies dummies etc. could get caught. There would be a danger of strangulation.

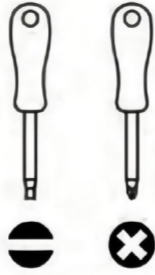
The cot/bed must be used on a level and stable surface, away from electric sockets. Once assembled do not dismantle. Never move the cot/ bed with a child in it.

Excessive chewing may damage the wood and cause splintering. If any part is damaged stop using until the correct replacement part has been obtained from baby-fair.co.uk , phone 0330 175 7526

Your cot/bed can be cleaned by wiping with a damp cloth and drying immediately with a soft clean cloth.

Do not use abrasives, bleach, alcohol or ammonia based household polishes.

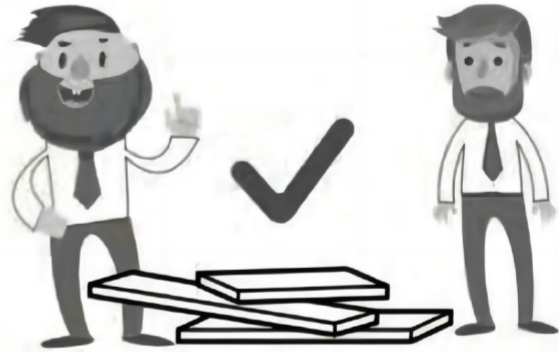
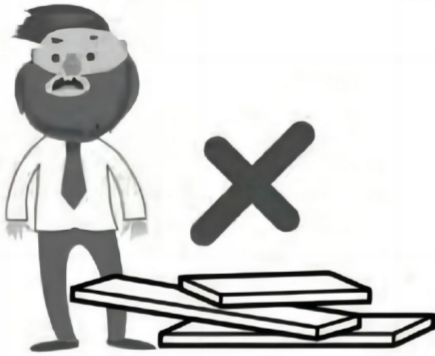
This product conforms to : EN716-1:2017+AC:2019 & EN716-2:2017



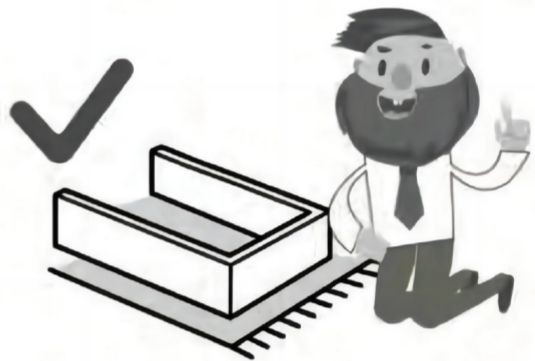
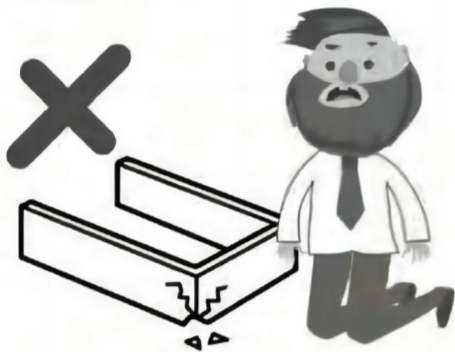
(Not metal)

These tools are not necessary, but may help to assemble certain parts of the product.

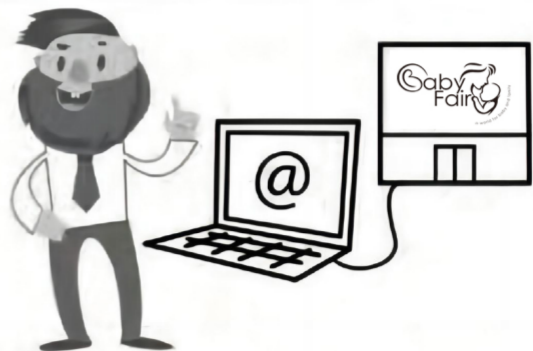
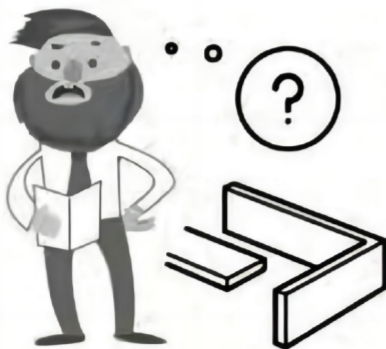
Do NOT use any power tools as this may damage the frame.



This product or some parts of this product will be heavy. Please use an assistant when lifting.

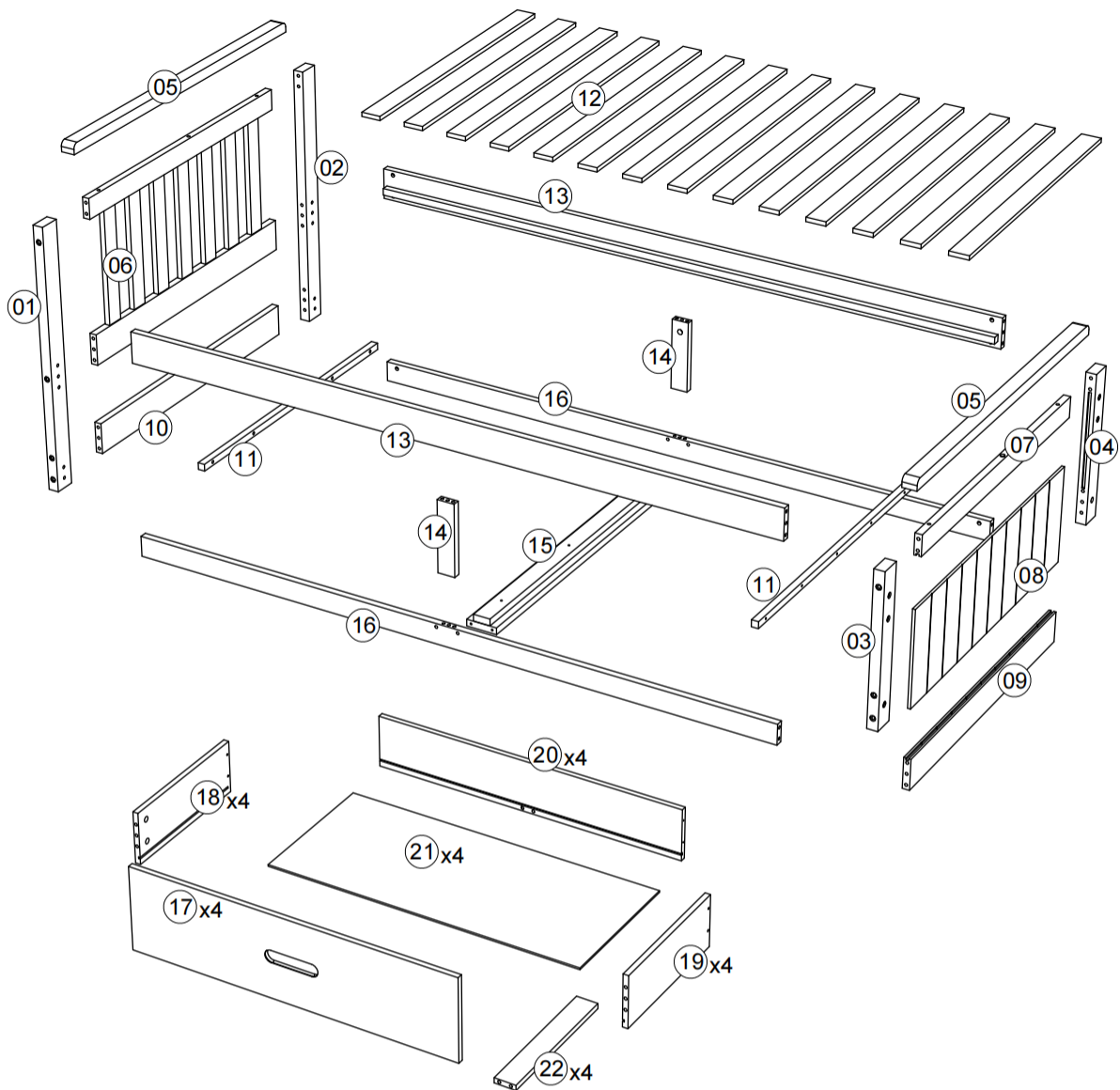


Never drag or push the pieces across a hard or stone floor as this will cause damage to the joints. Use a carpet or a rug for extra care.














If you have problems assembling or have damaged or missing pieces, please contact us by visiting:

www.baby-fair.co.uk

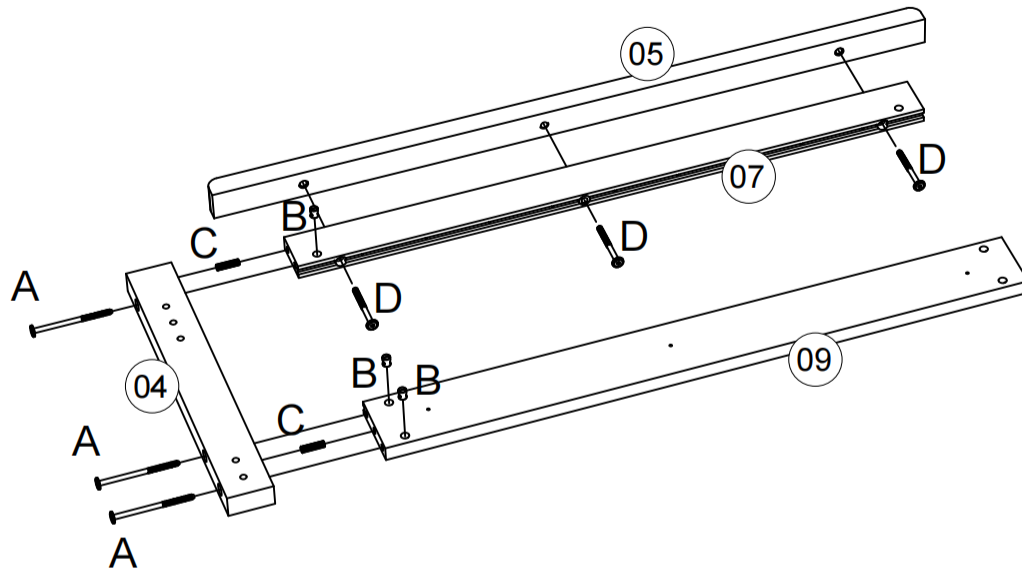


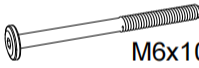

HARDWARE

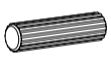

A	 M6x100mm	14
B		26
C	 Ø8x30mm	44
D	 M6x60mm	06
E	 Ø4x30mm	54
F	 Ø6x90mm	02

G	 M6x70mm	12
H	 Ø7x60mm	04
J		26
K		26
M	 M4	01

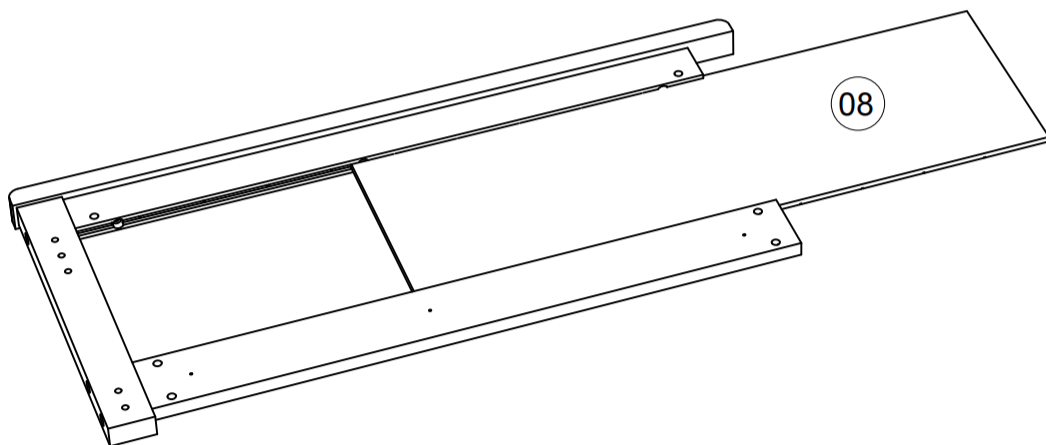
1



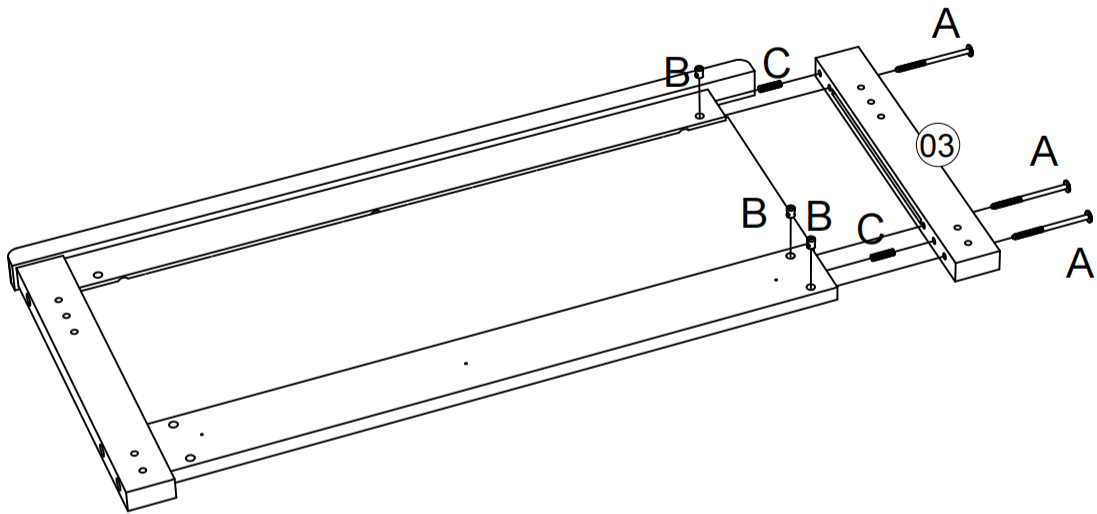
A	 M6x100mm	03
B		03

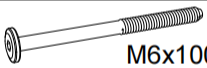

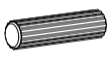
C	 Ø8x30mm	02
D	 M6x60mm	03

2

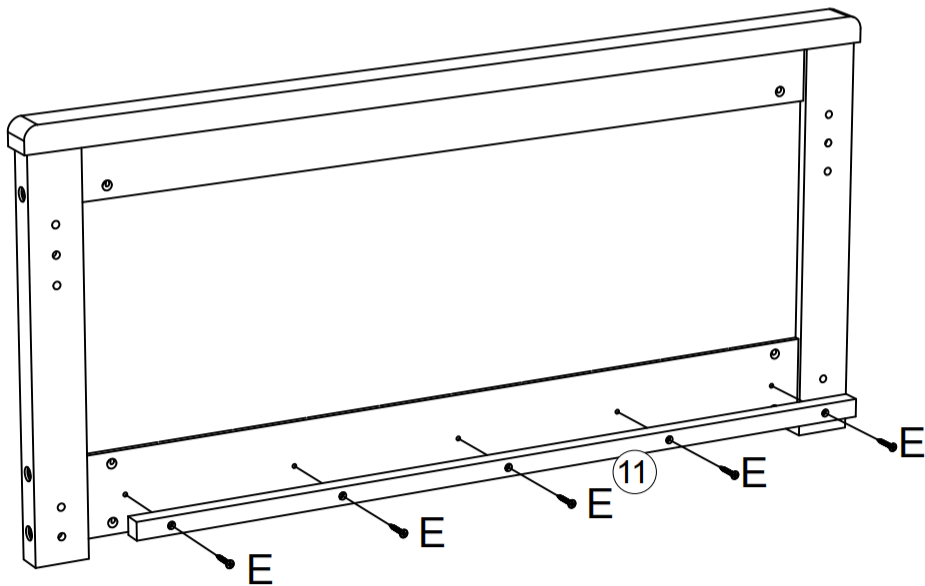


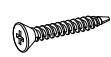
3



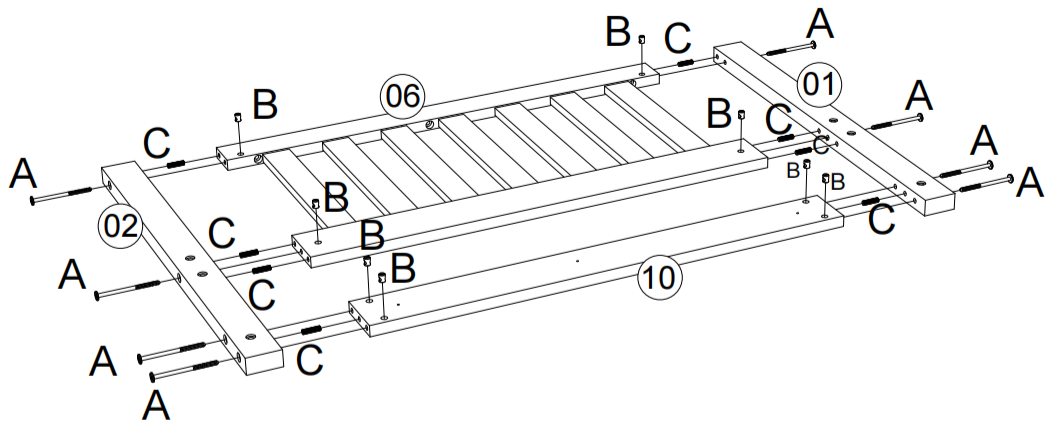
A	 M6x100mm	03
B		03
C	 Ø8x30mm	02

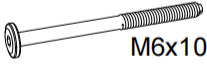


4



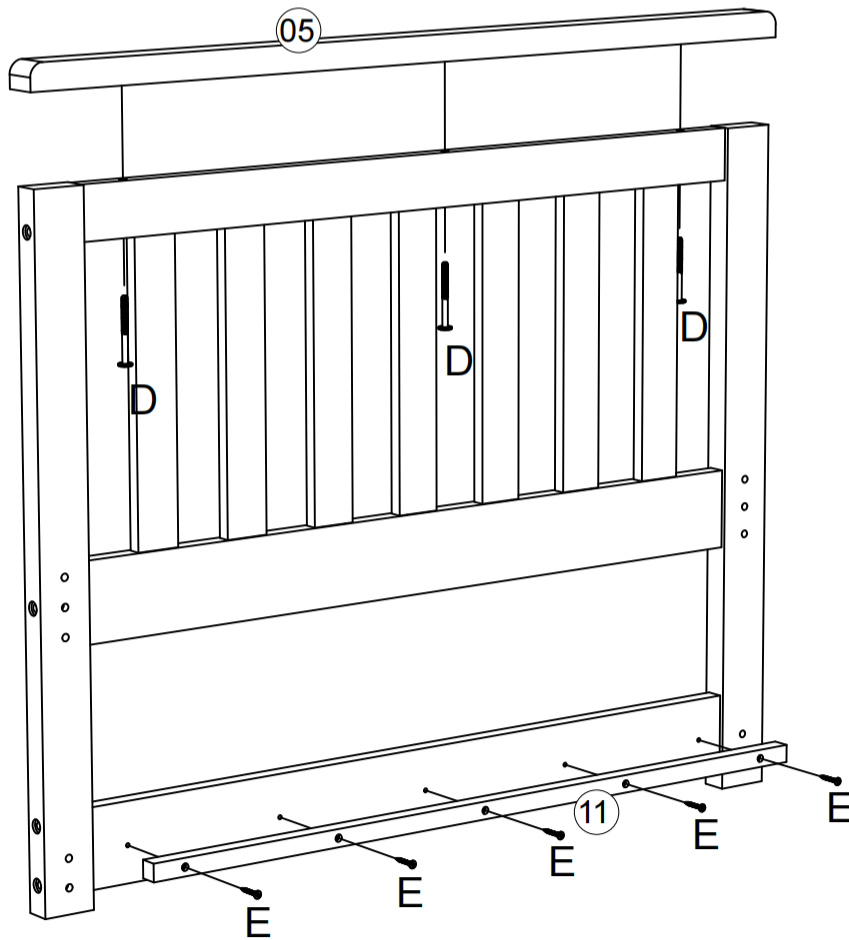
E	 Ø4x30mm	05
---	---	----

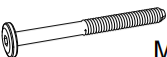

5



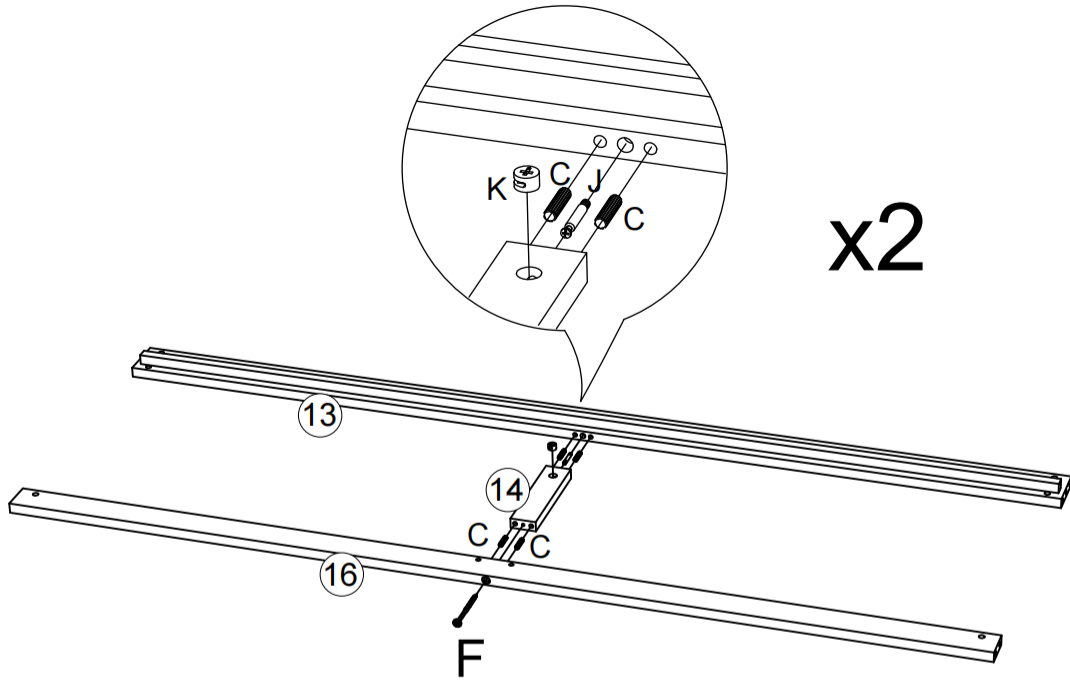
A	 M6x100mm	08
B		08
C	 Ø8x30mm	08




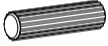
6



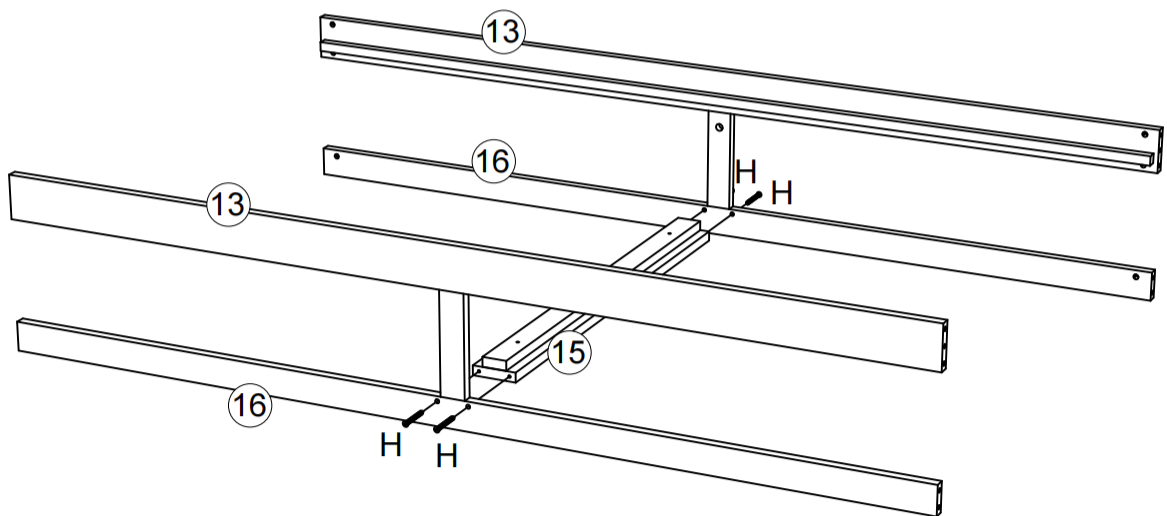
D	 M6x60mm	03
E	 Ø4x30mm	05

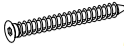
7



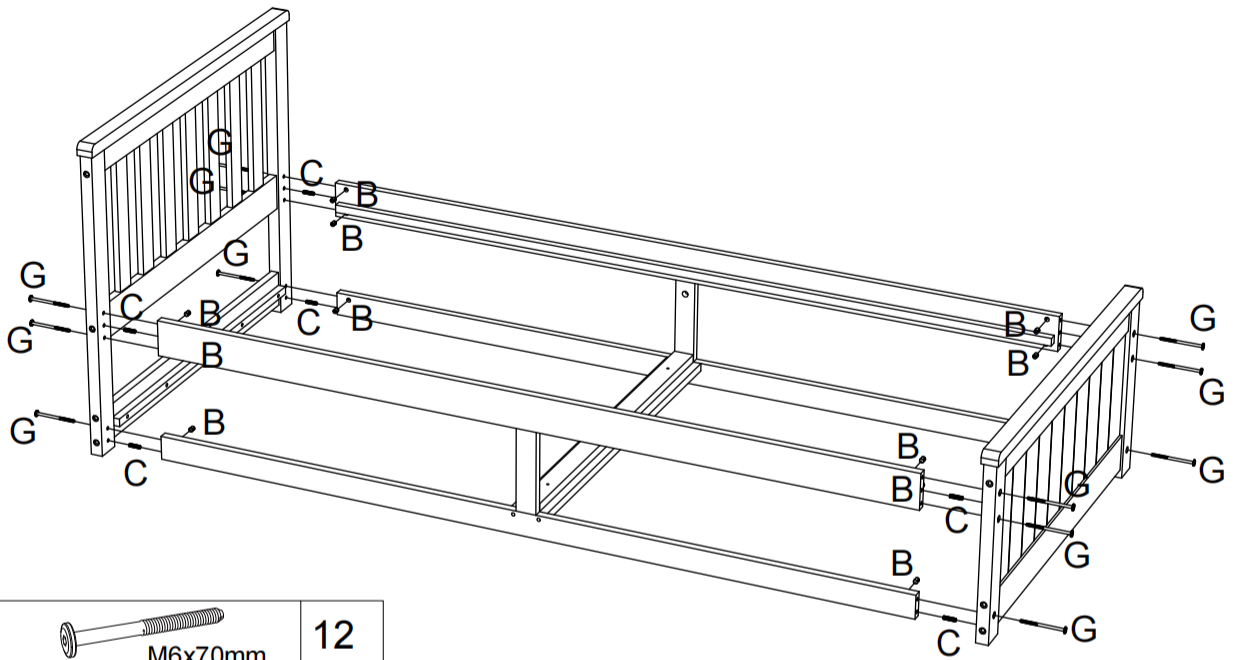
J		02
K		02
F	 Ø6x100mm	02
C	 Ø8x30mm	08



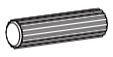
8



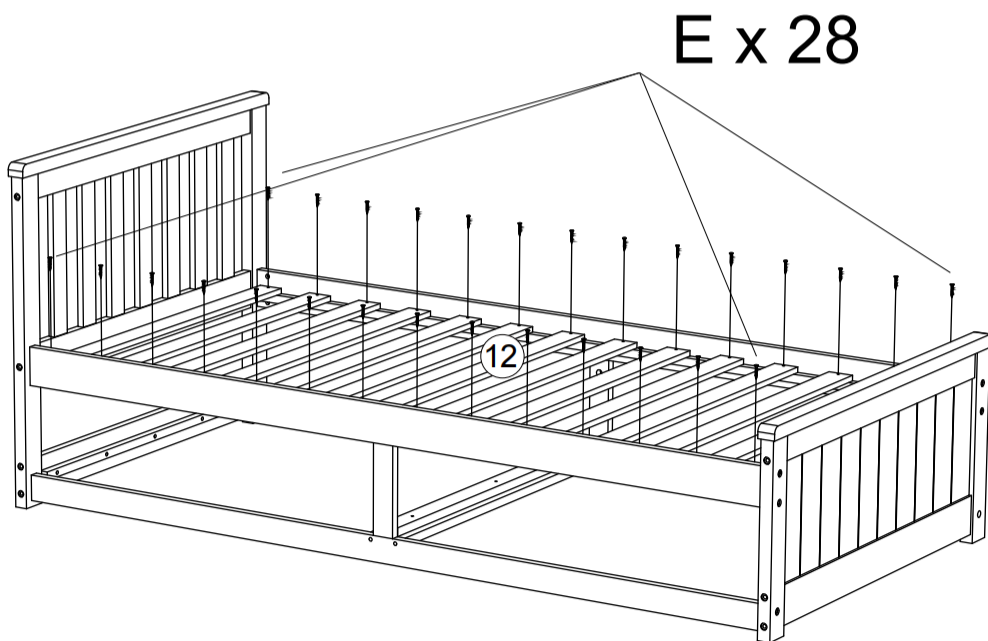
H	 Ø7x60mm	04
---	--	----

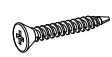
9



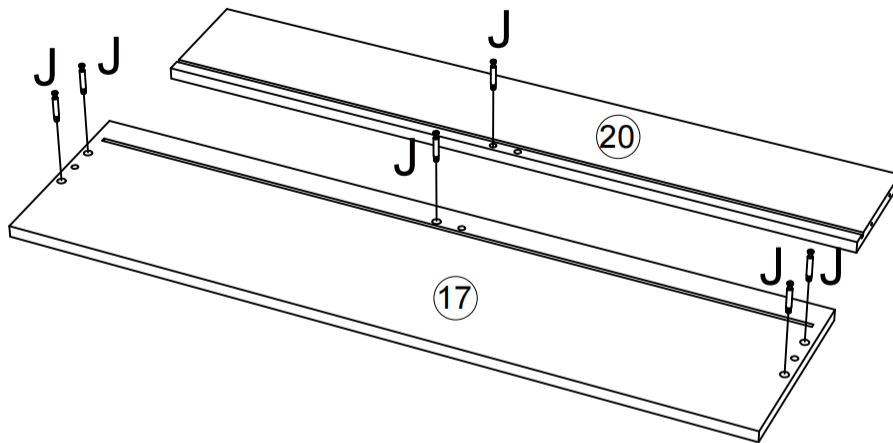
G	 M6x70mm	12
B		12
C	 Ø8x30mm	08

10




E	 Ø4x30mm	28
---	---	----

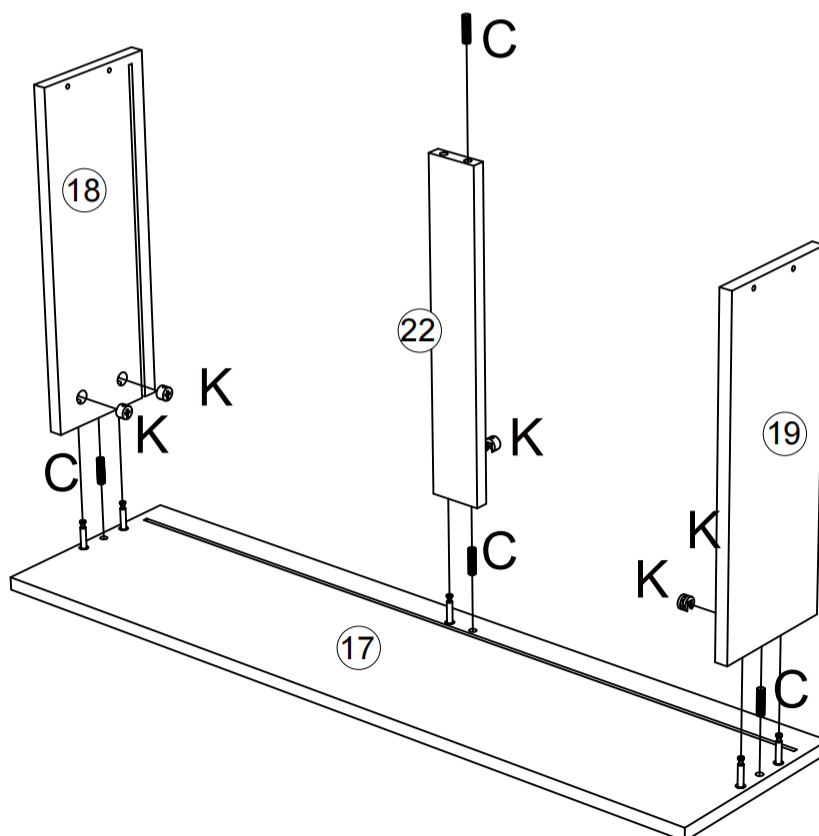
11





4x

J		24
---	---	----

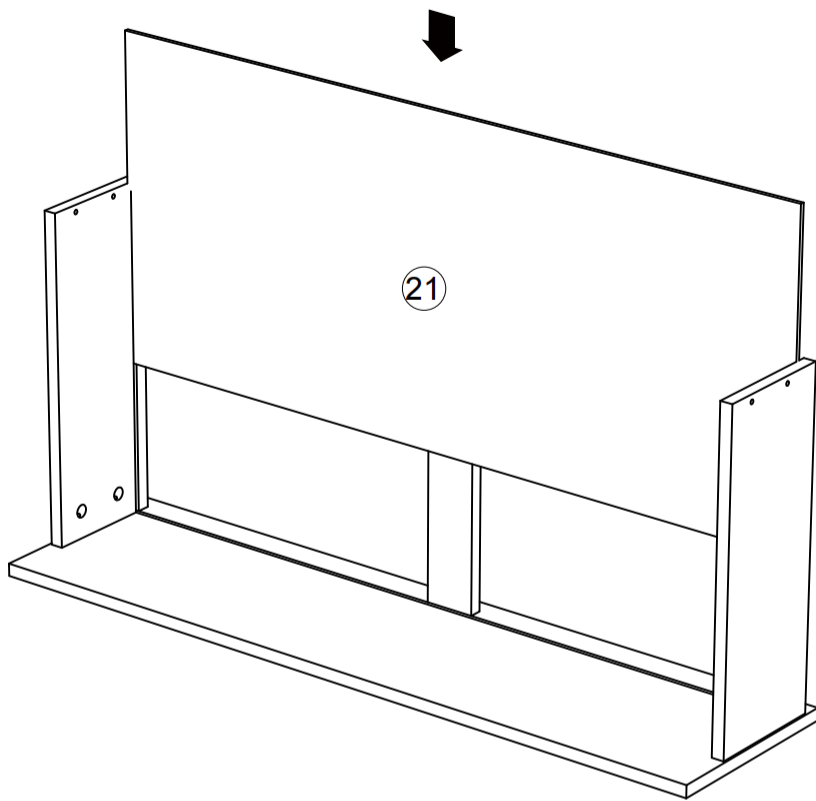
12



4x

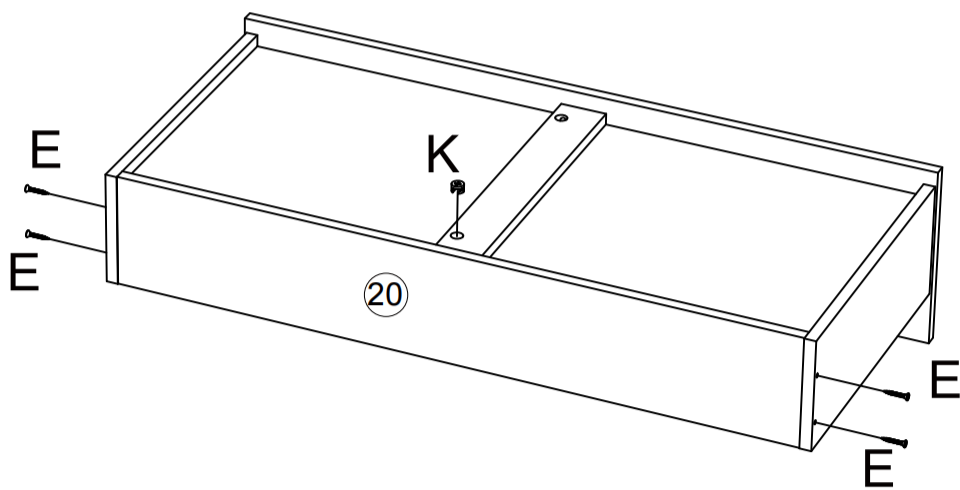
C	 Ø8x30mm	16
K		20

13





4x

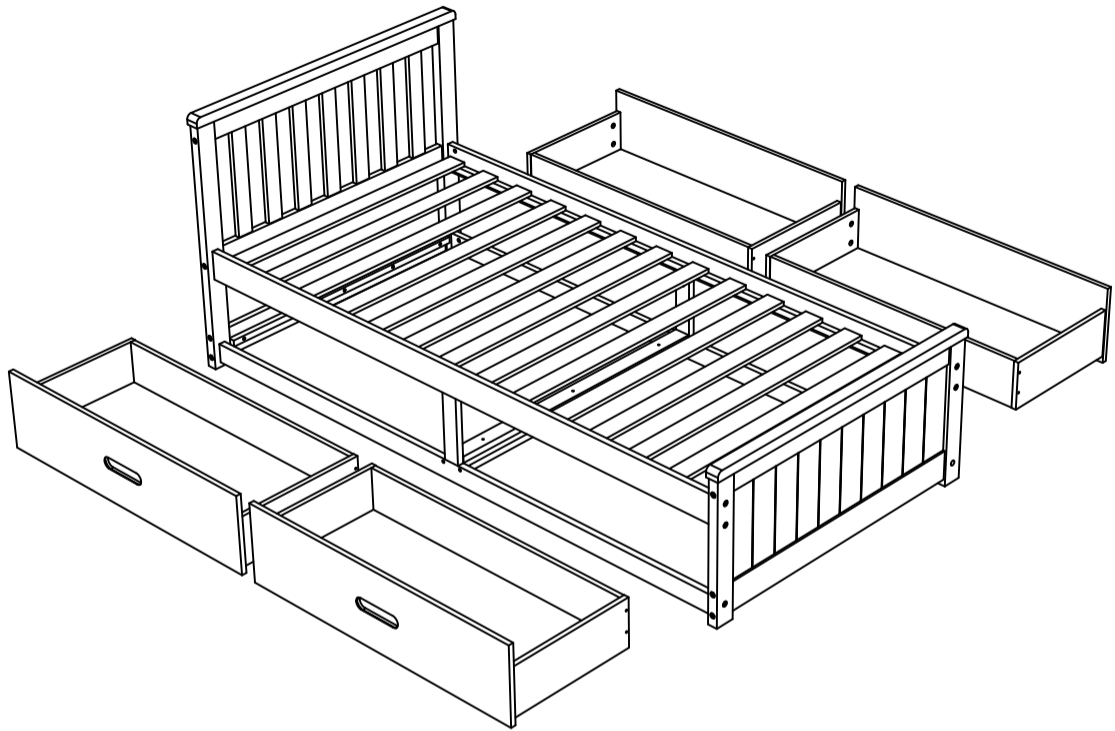
14



4x

E	 Ø4x30mm	16
K		04

15



16

